

Davies Remanufactured
Steelcase Avenir

(Tackable Acoustical Panel)



DISASSEMBLY INSTRUCTIONS



Steelcase Avenir

DISASSEMBLY INSTRUCTIONS

STANDARD TOOLS REQUIRED



Standard Flat-Head Screwdriver



Standard #2 Phillips Head Screwdriver



Hammer or Mallet



Crescent Wrench



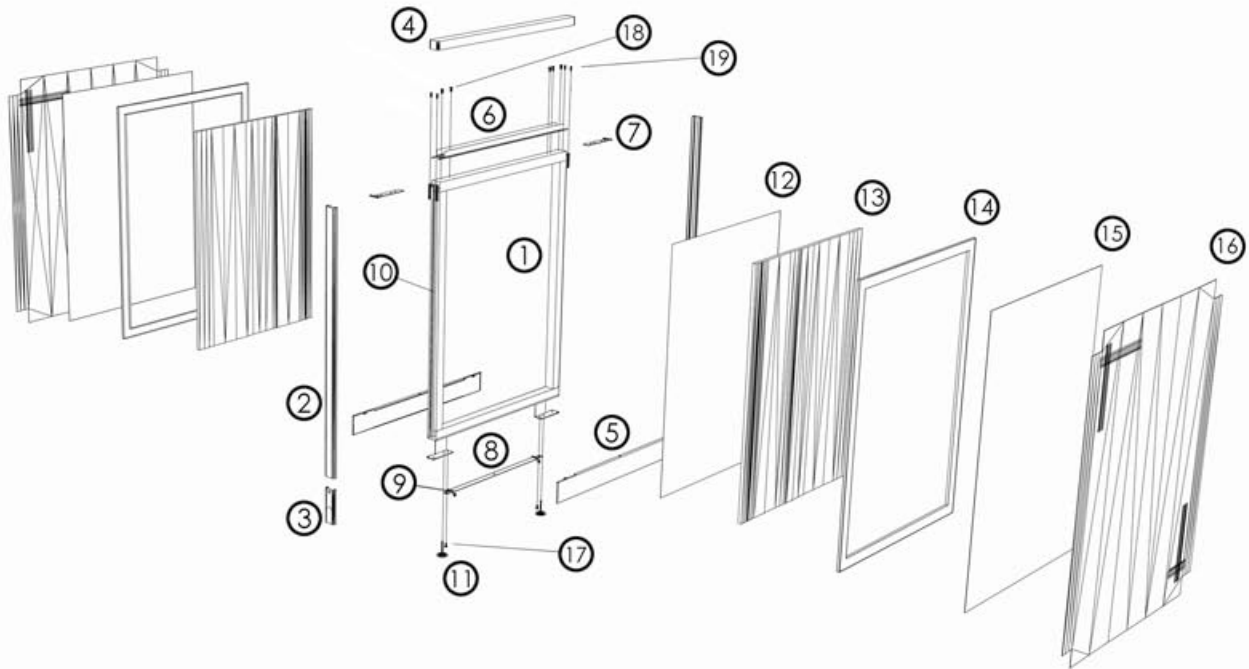
Needle Nose Pliers

DAVIES 
office refurbishing, inc.

WHAT LEGENDS ARE RE-MADE OF

Steelcase Avenir

DISASSEMBLY INSTRUCTIONS



- | | |
|---|---|
| ① (1) Core Panel Frame (steel) ♻️ | ⑪ (2) Adjustable Feet/Glide (steel) |
| ② (2) Side Rail (pvc) | ⑫ (1) Cardboard Divider (paper) ♻️ |
| ③ (2) End of Run Base Trim (steel) ♻️ | ⑬ (2) Acoustical Filler (fiberglass) |
| ④ (1) Top Cap (steel) ♻️ | ⑭ (2) Snap-On Frame (steel) ♻️ |
| ⑤ (2) Base Cover (steel) ♻️ | ⑮ (2) Tackable Board (fiberglass) |
| ⑥ (1) Top Cap Bracket (steel) ♻️ | ⑯ (2) Panel Fabric (PET) ♻️ |
| ⑦ (2) Side Rail Bracket (steel) ♻️ | ⑰ (2) Hardware Set 1 Panel Base (Steel) ♻️ |
| ⑧ (1) Base Cover Bracket Bar (steel) ♻️ | ⑱ (2) Hardware Set 2 Top Cap (Steel) ♻️ |
| ⑨ (2) Base Cover Attachment Clip (steel) ♻️ | ⑲ (4) Hardware Set 3 Side Rail Bracket (Steel) ♻️ |
| ⑩ (2) Side Gaskets (foam) | |



Items that should be recycled if they cannot be re-used or remanufactured. For more information on where to recycle materials or other recovery options, please review the Davies End of Life Recycling Infrastructure Matrix and Davies End of Life Recovery Options Matrix available online at: <http://www.daviesoffice.com/environment/>

DAVIES
office refurbishing, inc. 

WHAT LEGENDS ARE RE-MADE OF

Steelcase Avenir

DISASSEMBLY INSTRUCTIONS

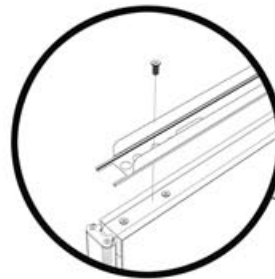
STEP 1

Remove top cap (steel) by pulling top cap straight up with both hands.



STEP 2

Remove top cap bracket (steel) by removing (2) Phillips head screws and then lift bracket off of frame.



DAVIES
office refurbishing, inc. 

WHAT LEGENDS ARE RE-MADE OF

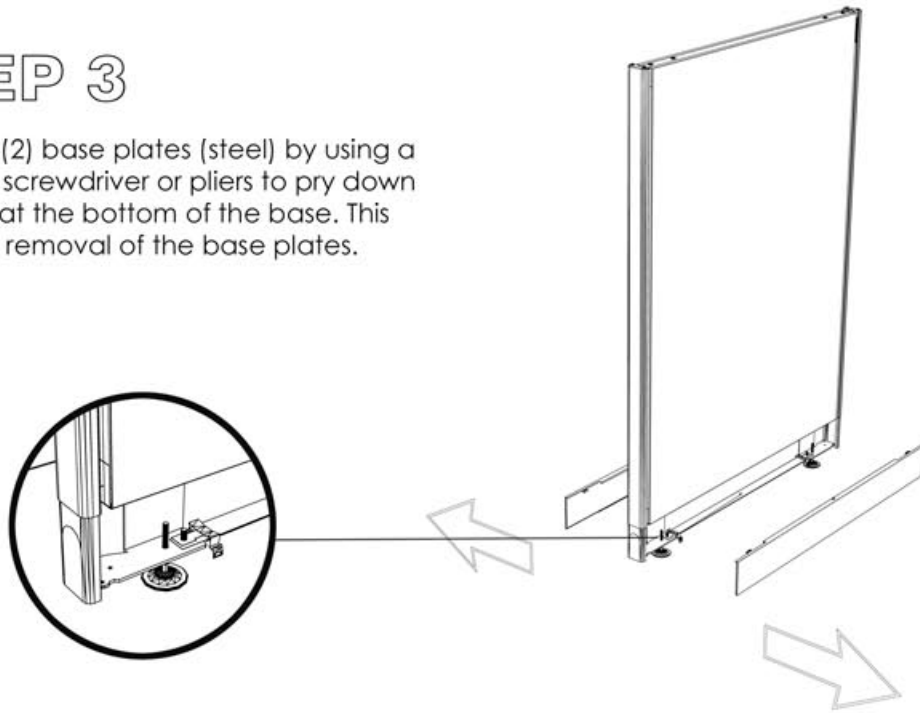
Steelcase Avenir

DISASSEMBLY INSTRUCTIONS



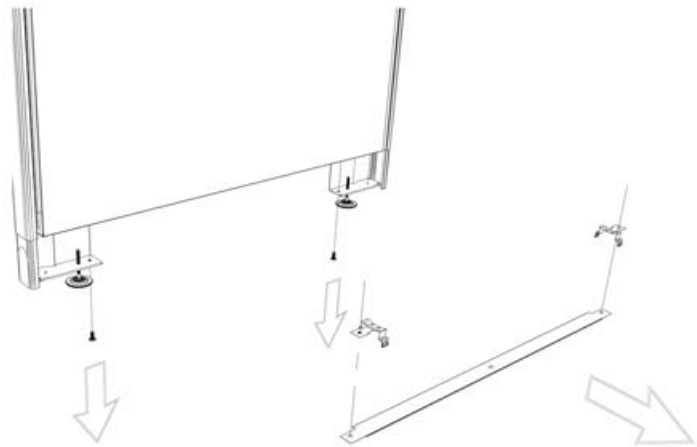
STEP 3

Remove (2) base plates (steel) by using a flathead screwdriver or pliers to pry down the tabs at the bottom of the base. This will allow removal of the base plates.



STEP 4

Remove bottom bracket (steel) and base plate clips (steel) by removing (2) Phillips head screws from underside of bottom bracket and frame.



DAVIES 
office refurbishing, inc.

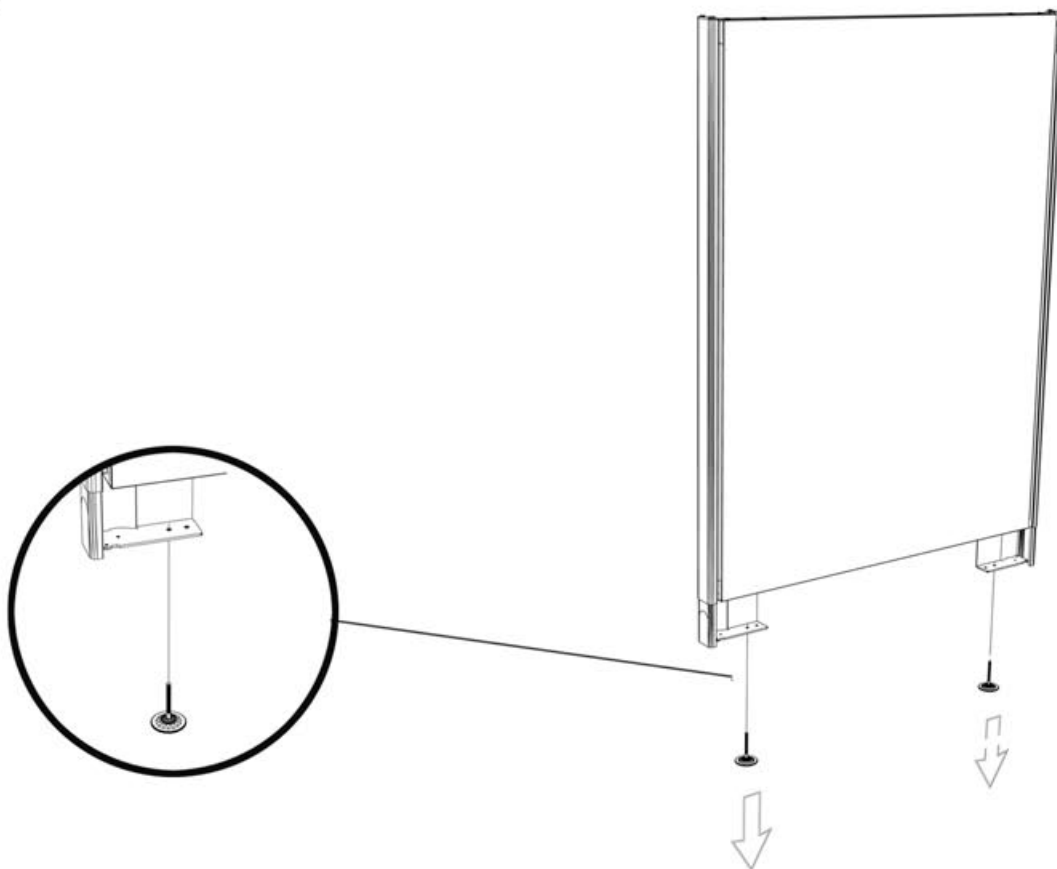
WHAT LEGENDS ARE RE-MADE OF

Steelcase Avenir

DISASSEMBLY INSTRUCTIONS

STEP 5

Remove (2) adjustable feet/glides (steel) by turning them counter-clockwise by hand; Use a crescent wrench or pliers if needed.



DAVIES 
office refurbishing, inc.

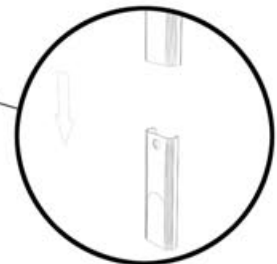
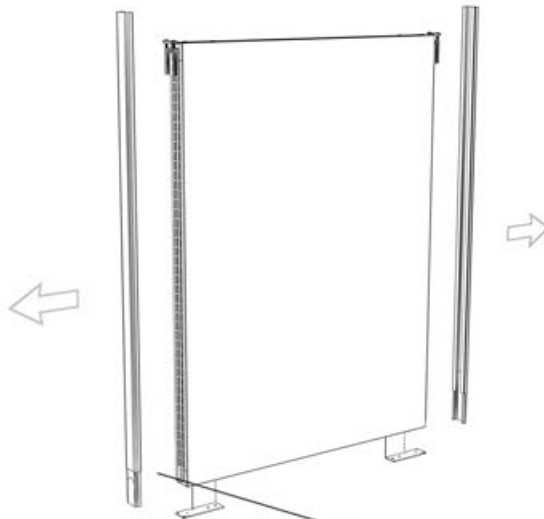
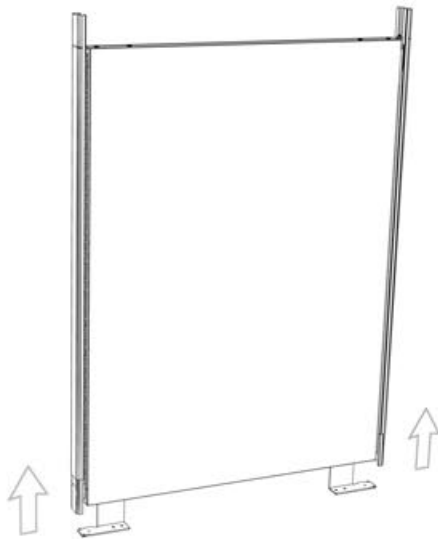
WHAT LEGENDS ARE RE-MADE OF

Steelcase Avenir

DISASSEMBLY INSTRUCTIONS

STEP 6

Remove side rails <PVC> by using a flat head screwdriver and mallet to tap them up from the bottom. Tap until the rail goes past the bottom bracket. The bottom brackets should fall off to the sides. The side rail can then be pulled off by hand.



DAVIES 
office refurbishing, inc.

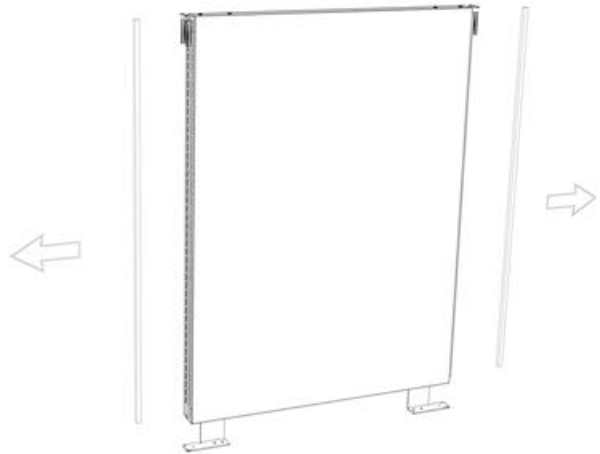
WHAT LEGENDS ARE RE-MADE OF

Steelcase Avenir

DISASSEMBLY INSTRUCTIONS

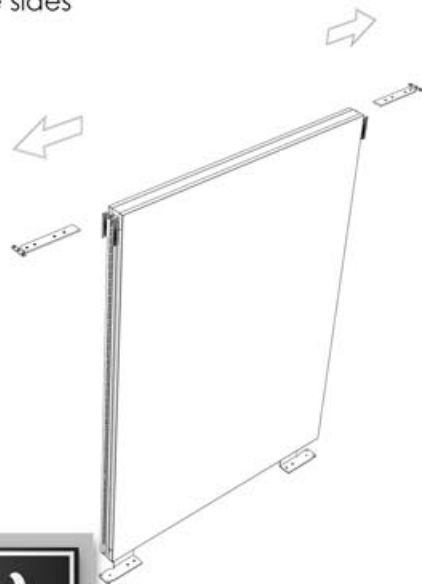
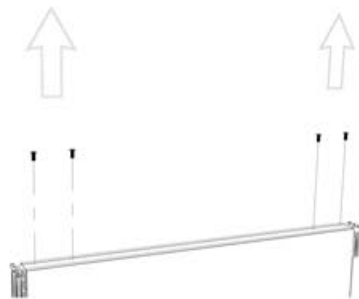
STEP 7

Remove (2) Side Gasgets (foam) from the sides of the panel frame. by unwrapping them at the top of frame and them pull off.



STEP 8

Remove (2) side rail brackets (steel). Use a Phillips head screwdriver to unscrew (4) bolts. Then, remove the side rail brackets by pulling them out of the sides of the frames.



DAVIES
office refurbishing, inc. 

WHAT LEGENDS ARE RE-MADE OF

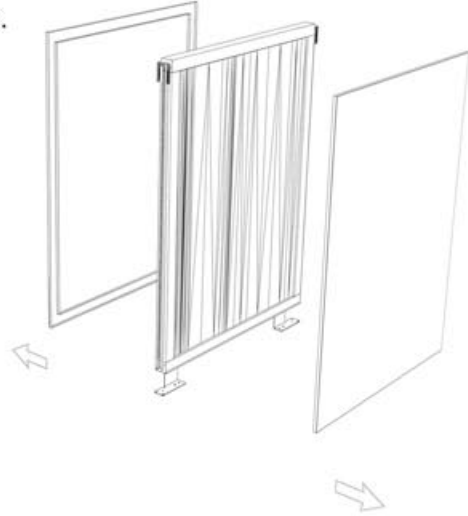
Steelcase Avenir

DISASSEMBLY INSTRUCTIONS

STEP 9



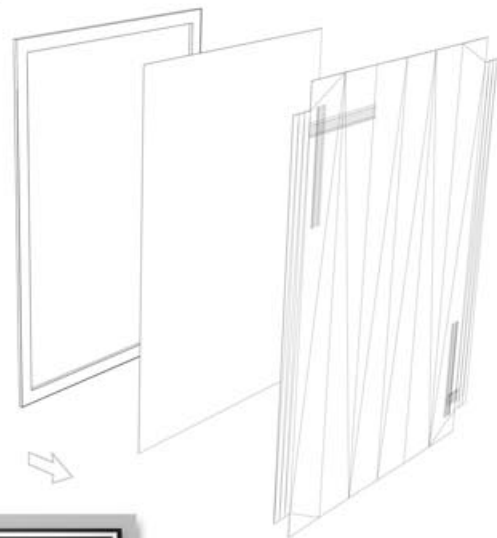
Remove (2) fabric wrapped snap-on (steel) frames. Use a flat head screwdriver to pry the frames from the edge of the hollow tube core frame.



STEP 10



Remove fabric skin <PET> from snap-on frames. Using needle nose pliers, pull the fabric from the back of the frame. Once the fabric has been removed you will be able to remove tackboard (fiberglass) that is held in place by the fabric skin. Lift the fiber board off of the frame.



DAVIES
office refurbishing, inc. 

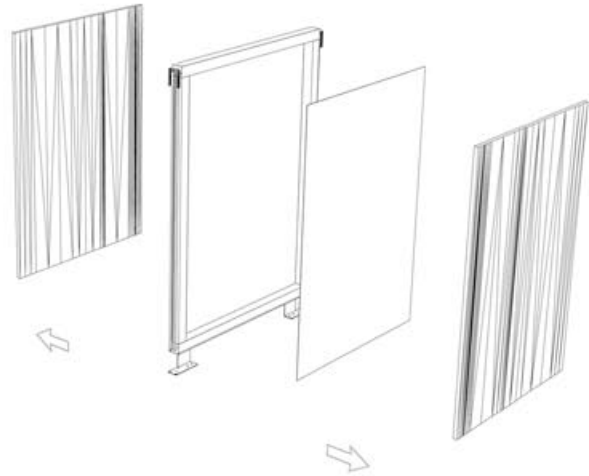
WHAT LEGENDS ARE RE-MADE OF

Steelcase Avenir

DISASSEMBLY INSTRUCTIONS

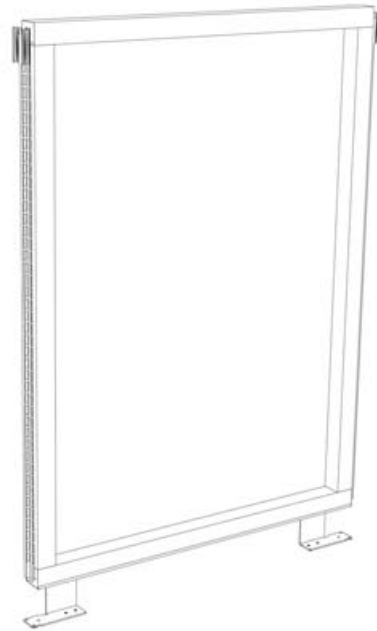
STEP 11

Remove (2) acoustical fillers and (1) sheet of cardboard (paper) located in the middle of the panel frame.



STEP 12

Only hollow tube, steel panel frame remains.



DAVIES
office refurbishing, inc.



WHAT LEGENDS ARE RE-MADE OF