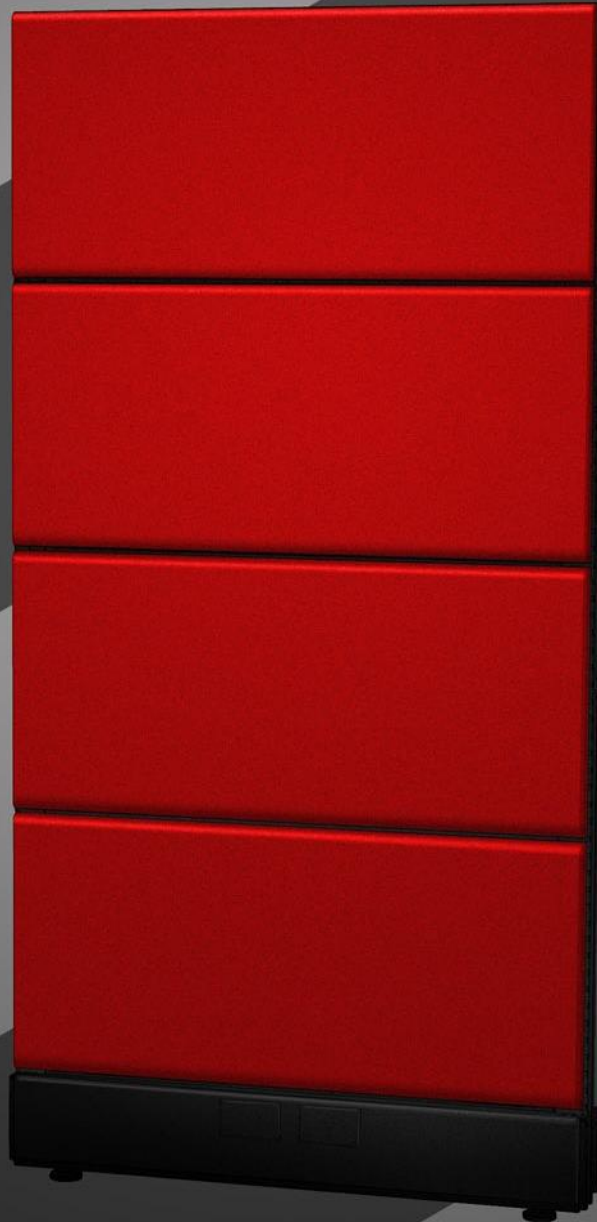


**Davies Remanufactured**  
**Herman Miller Ethospace**  
**( Panel Frame / Tiles )**



**DISASSEMBLY INSTRUCTIONS**



**WHAT LEGENDS ARE RE-MADE OF**

# Herman Miller Ethospace

## **DISASSEMBLY INSTRUCTIONS**

### STANDARD TOOLS REQUIRED

---



Standard Flat-Head Screwdriver



Standard #2 Phillips Head Screwdriver



Crescent Wrench



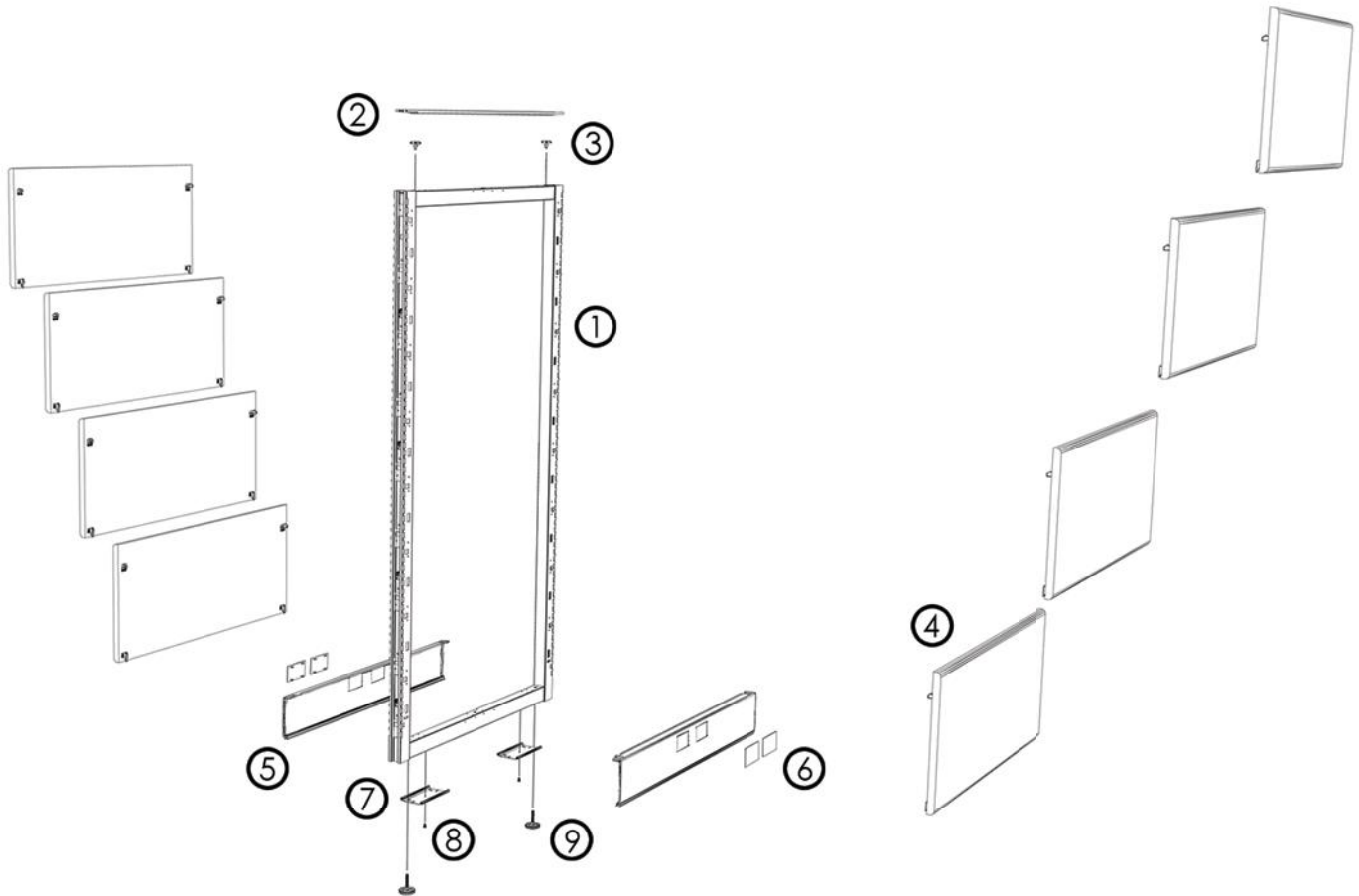
Needle Nose Pliers

**DAVIES**  
office refurbishing, inc. 

**WHAT LEGENDS ARE RE-MADE OF**

# Remanufactured HM Ethospace

## DISASSEMBLY INSTRUCTIONS



- |   |   |
|---|---|
| ① (1) Core Panel Frame (steel) ♻️                             | ⑥ (4) Receptacle Covers (ABS plastic)       |
| ② (1) Top-Cap (steel) ♻️                                      | ⑦ (2) Kick-Plate Brackets (steel) ♻️        |
| ③ (2) Top-Cap retainer clips (steel) ♻️                       | ⑧ (2) Screws (steel) ♻️                     |
| ④ Tiles (quantity and style vary) <i>see tile disassembly</i> | ⑨ (2) Leveling Glides (steel / ABS plastic) |
| ⑤ (2) Kick-Plate Base Cover (vinyl)                           |   |

♻️ Items that should be recycled if they cannot be re-used or remanufactured. For more information on where to recycle materials or other recovery options, please review the Davies End of Life Recycling infrastructure Matrix and Davies End of Life Recovery Options Matrix.

Available online at: <http://daviesoffice.com/environment/>



**WHAT LEGENDS ARE RE-MADE OF**

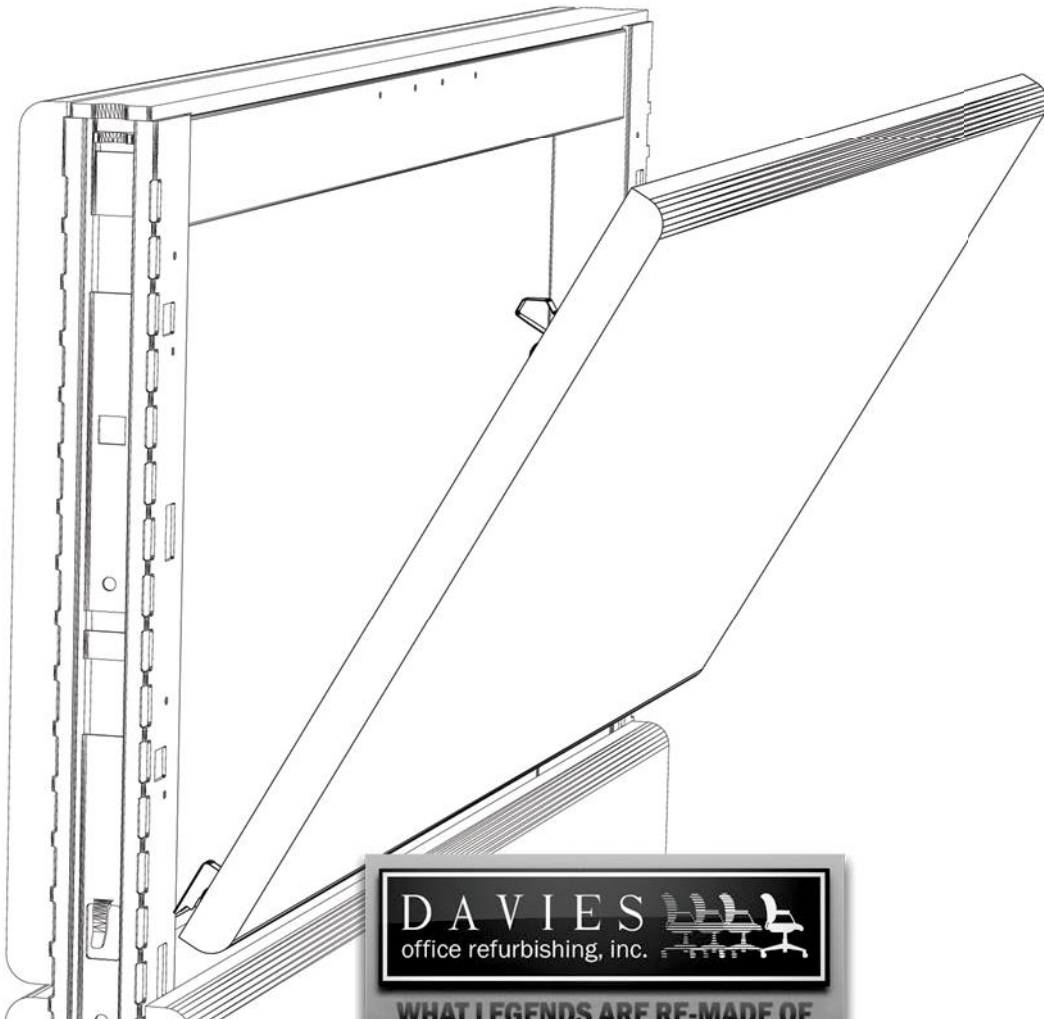
# Herman Miller Ethospace

## DISASSEMBLY INSTRUCTIONS

### STEP 1

Begin by removing tiles. They can be easily removed by pulling the top of each tile toward you until the clips release. Lift the loose tile upward until the bottom brackets are free.

*TIP: It's easier to remove the tiles if you begin at the top and work your way down.*



**DAVIES**   
office refurbishing, inc.

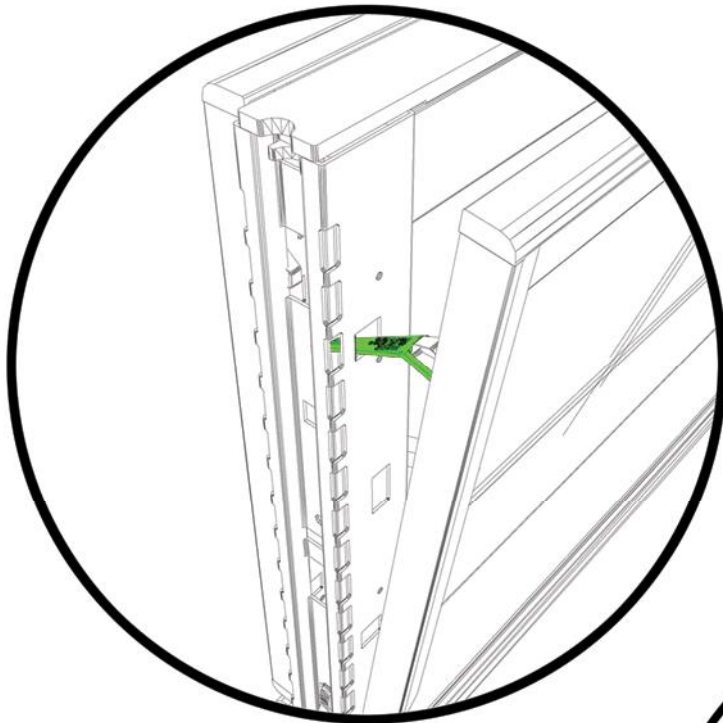
**WHAT LEGENDS ARE RE-MADE OF**

# Remanufactured HM Ethospace

## DISASSEMBLY INSTRUCTIONS

### EXTRA STEP

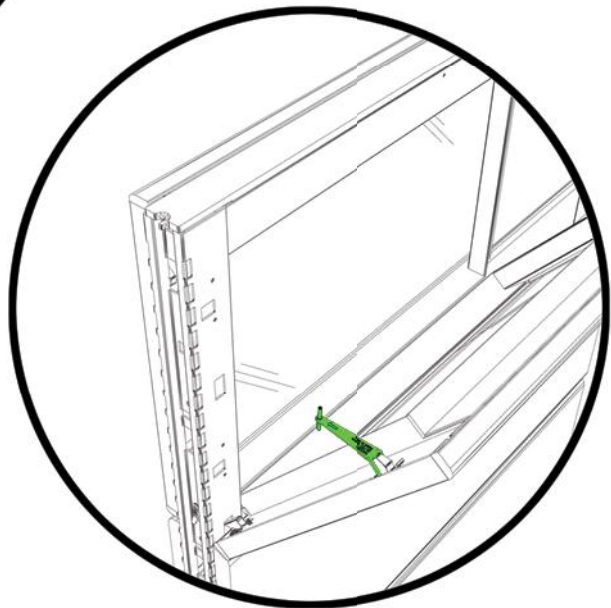
Glass tiles require an extra disassembly step. They have an extra plastic tab attached to them that locks into the steel panel frame to prevent them from popping off and breaking.



Pop the top of the tile off, like you would a standard tile.

Next, wiggle the plastic tab around until you've freed the anchor on the end of the tab.

Once you've gotten the anchor out of the panel frame the tile can be removed.



**DAVIES**  
office refurbishing, inc. 

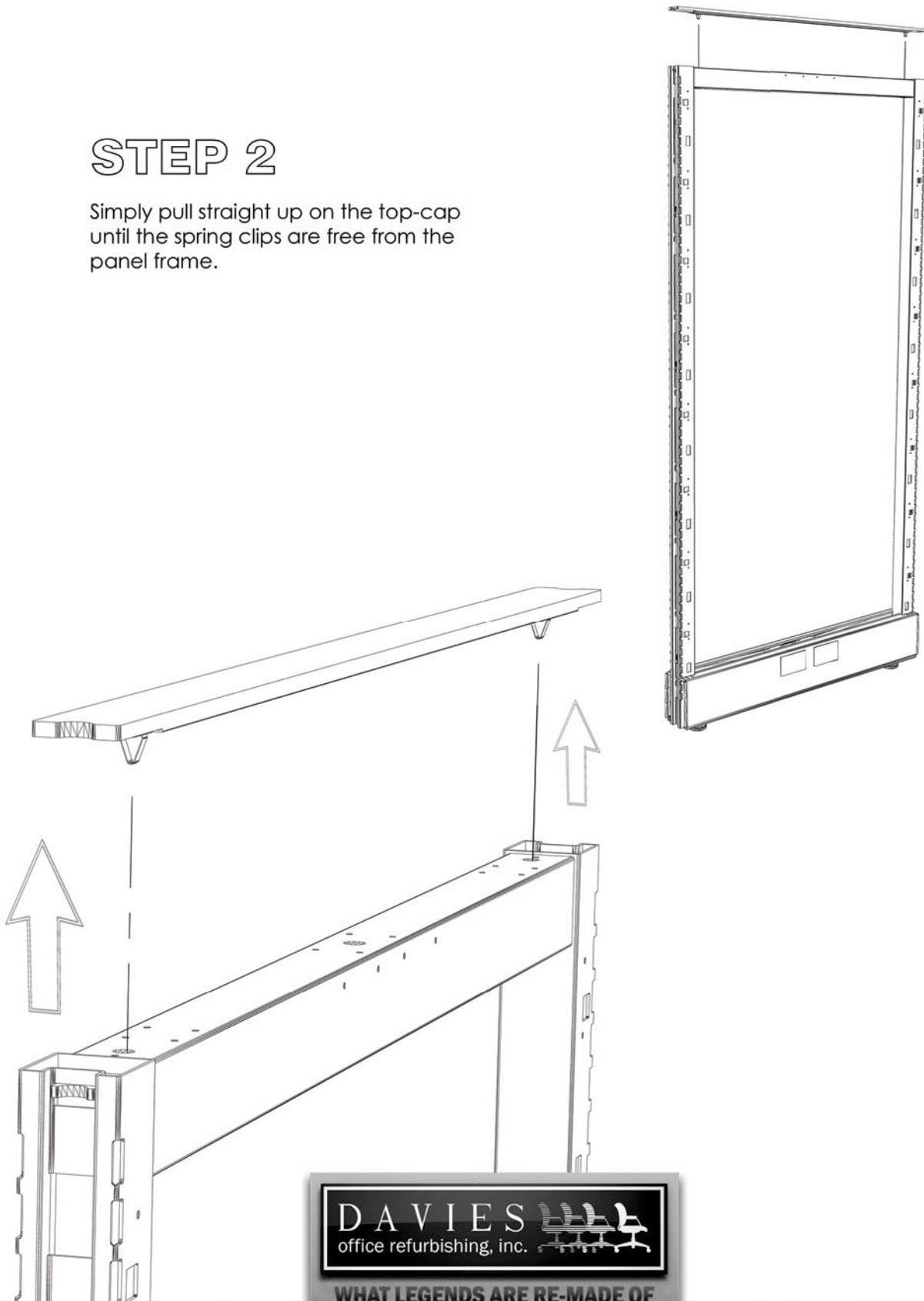
WHAT LEGENDS ARE RE-MADE OF

# Remanufactured HM Ethospace

## DISASSEMBLY INSTRUCTIONS

### STEP 2

Simply pull straight up on the top-cap until the spring clips are free from the panel frame.



**DAVIES**   
office refurbishing, inc.

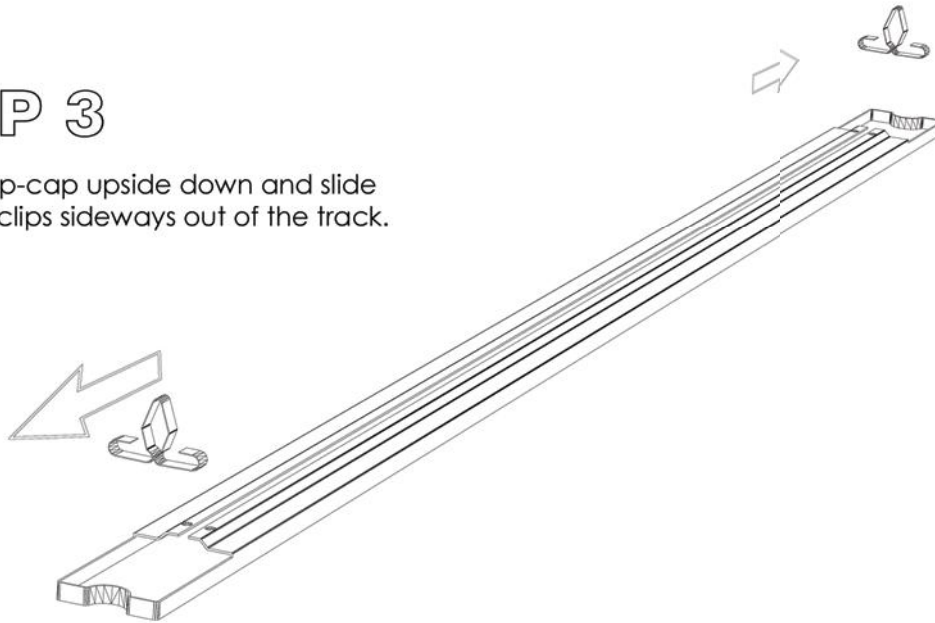
**WHAT LEGENDS ARE RE-MADE OF**

# Remanufactured HM Ethospace

## DISASSEMBLY INSTRUCTIONS

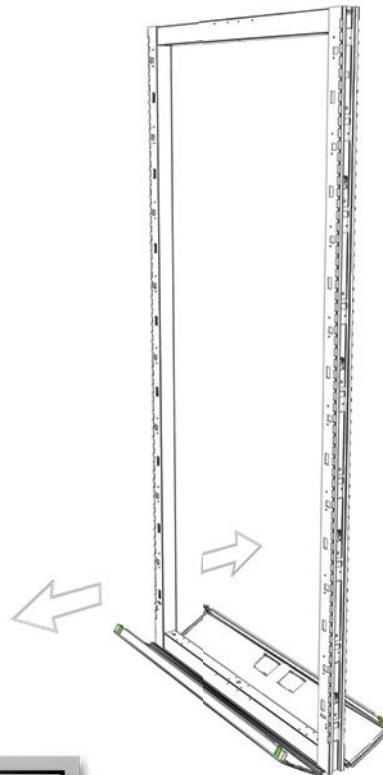
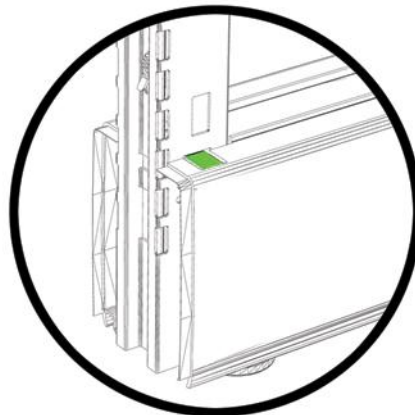
### STEP 3

Turn the top-cap upside down and slide the spring clips sideways out of the track.



### STEP 4

Using a flat head screwdriver push down the tabs on the top of each kickplate. There are two tabs per kickplate. As you push each tabs down pull the top of the kickplate toward you.



**DAVIES**  
office refurbishing, inc.



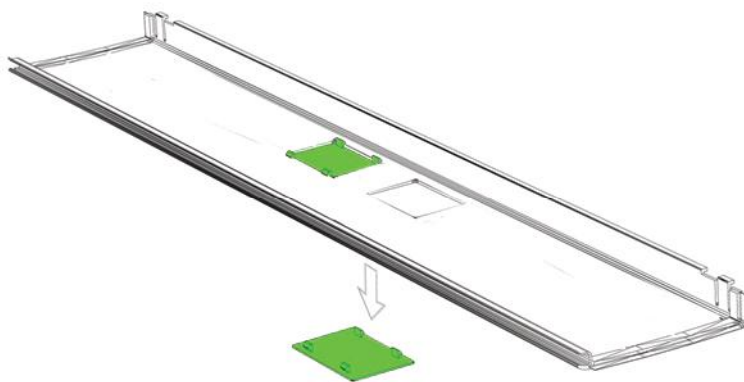
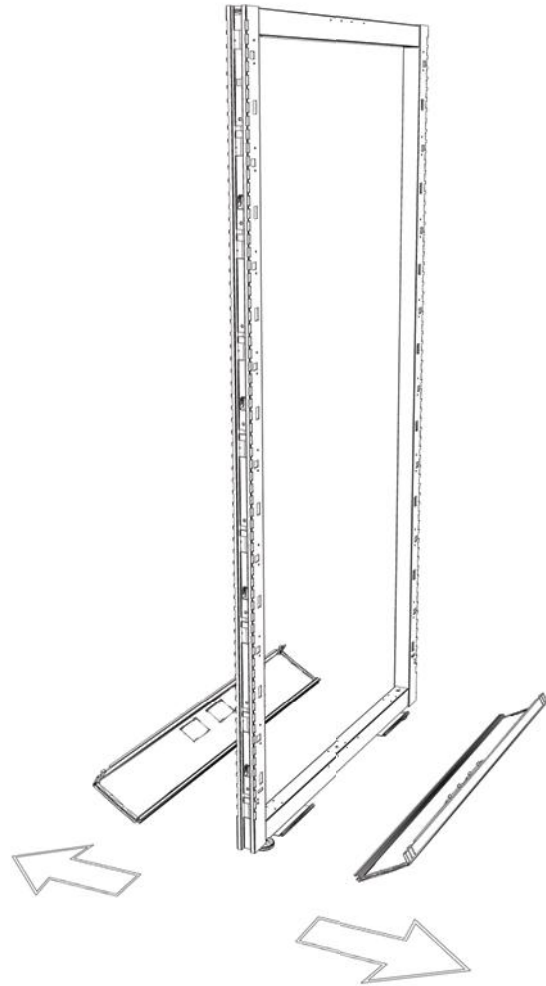
**WHAT LEGENDS ARE RE-MADE OF**

# Remanufactured HM Ethospace

## DISASSEMBLY INSTRUCTIONS

### STEP 5

Simply pull the kickplates toward you to remove them from the base.



### OPTIONAL

Receptacle faceplates can be removed from kickplates by pushing on the backside of them.

**DAVIES**  
office refurbishing, inc.



WHAT LEGENDS ARE RE-MADE OF

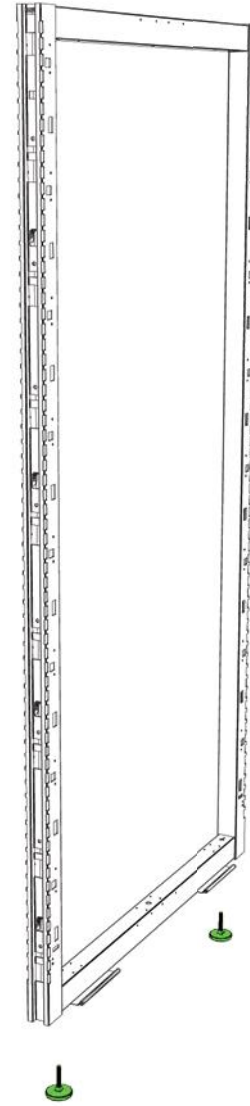
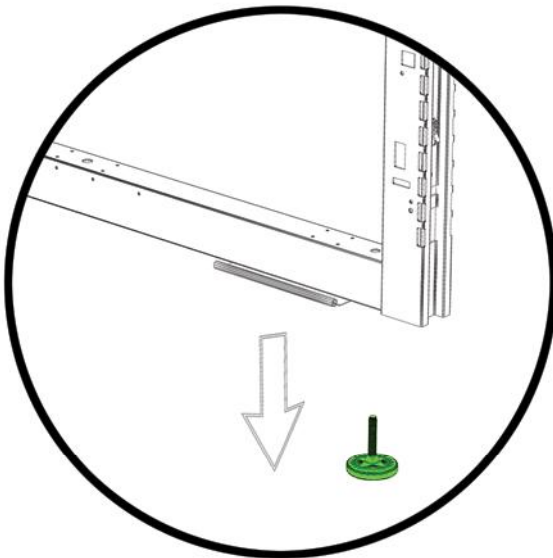


# Remanufactured HM Ethospace

## DISASSEMBLY INSTRUCTIONS

### STEP 6

Using a wrench or your hand unscrew the leveling glides and remove them from the panel frame.

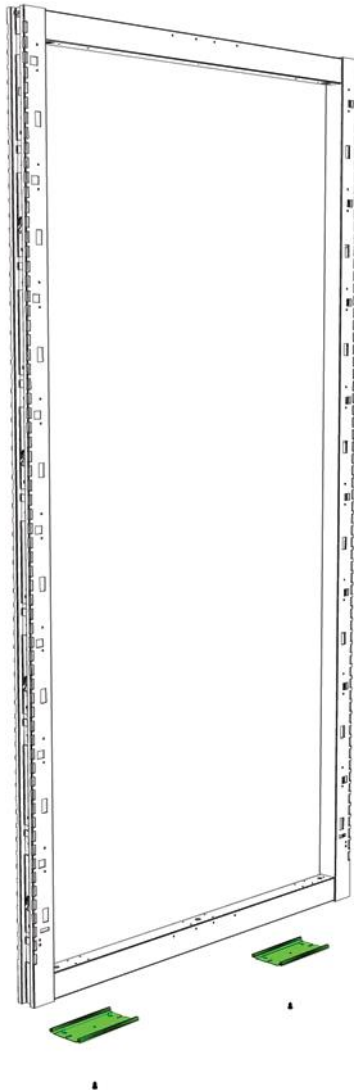


**DAVIES**   
office refurbishing, inc.

WHAT LEGENDS ARE RE-MADE OF

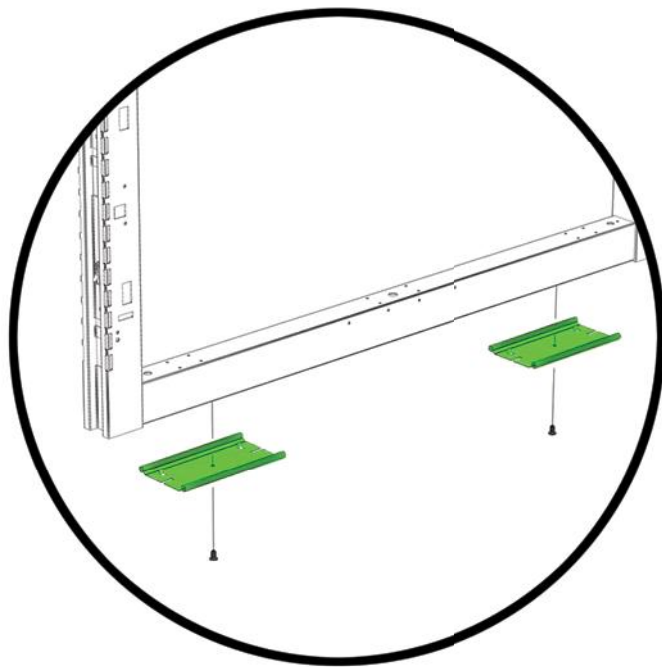
# Remanufactured HM Ethospace

## DISASSEMBLY INSTRUCTIONS



### STEP 7

Using a philips head screwdriver remove screws that hold the base plates to the pane frame. Once the screws have been removed the plates are free.



**DAVIES**   
office refurbishing, inc.

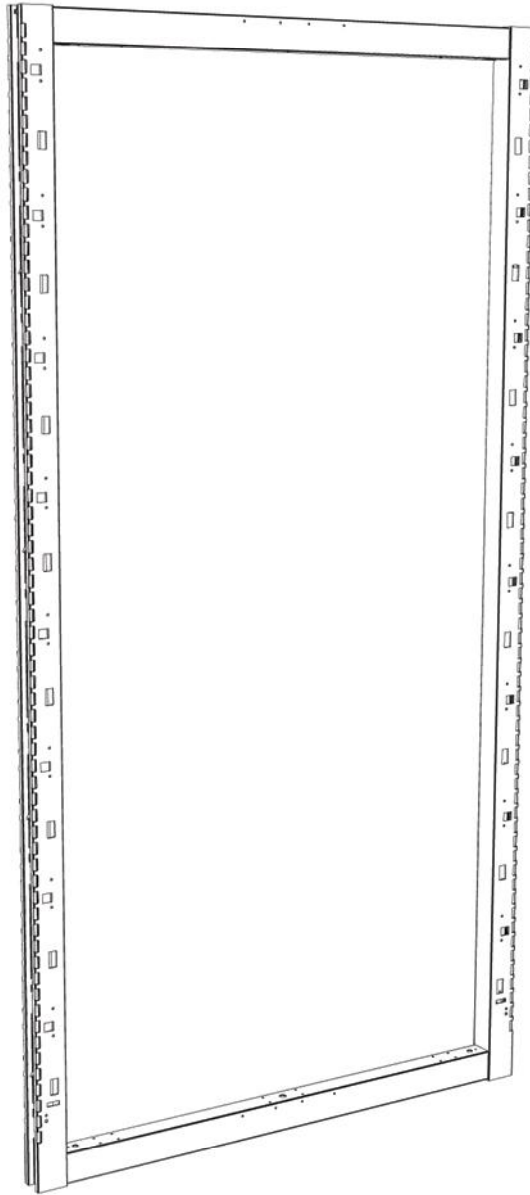
WHAT LEGENDS ARE RE-MADE OF

# Remanufactured HM Ethospace

## **DISASSEMBLY INSTRUCTIONS**

# COMPLETED

Panel frame disassembly is now complete.



**DAVIES**  
office refurbishing, inc.

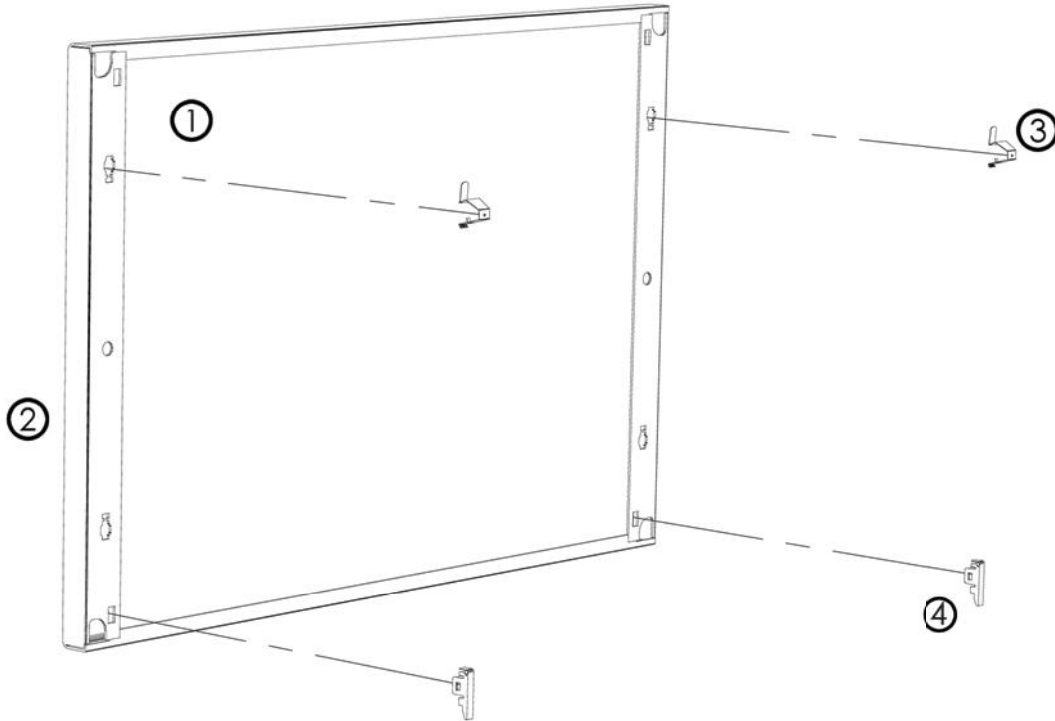


**WHAT LEGENDS ARE RE-MADE OF**

Continue on for disassembly  
of Ethospace tiles.



# Remanufactured HM Ethospace FABRIC FACED TILE DISASSEMBLY INSTRUCTIONS



① (1) Metal Tile (steel) ♻️

② (1) Fabric Skin (polyester / wool)

③ (2) Spring clip (steel) ♻️

④ (2) Alignment bracket (steel) ♻️



♻️ Items that should be recycled if they cannot be re-used or remanufactured. For more information on where to recycle materials or other recovery options, please review the Davies End of Life Recycling Infrastructure Matrix and Davies End of Life Recovery Options Matrix.

Available online at: <http://daviesoffice.com/environment/>

**DAVIES**  
office refurbishing, inc. 

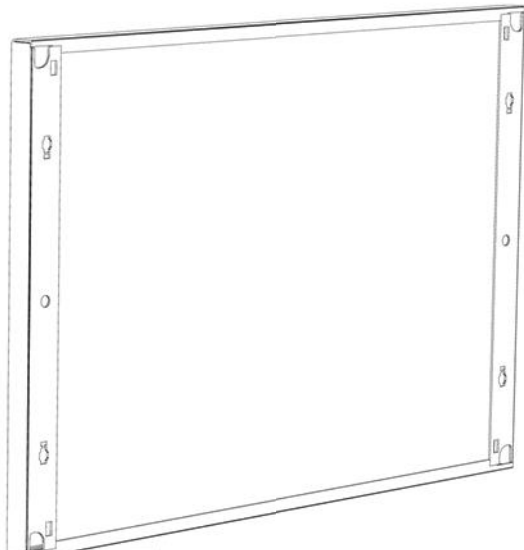
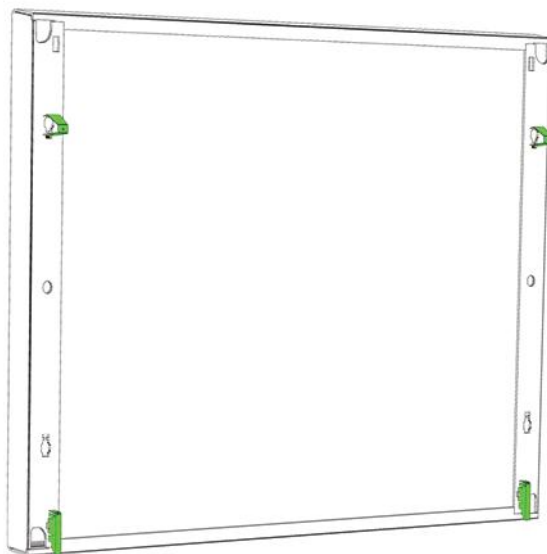
**WHAT LEGENDS ARE RE-MADE OF**

# Remanufactured HM Ethospace

## FABRIC FACED TILE DISASSEMBLY INSTRUCTIONS

### STEP 1

Using a pair of needle nose pliers, squeeze the spring clips and alignment brackets and pull them out of the metal tile frame.



**DAVIES**   
office refurbishing, inc.

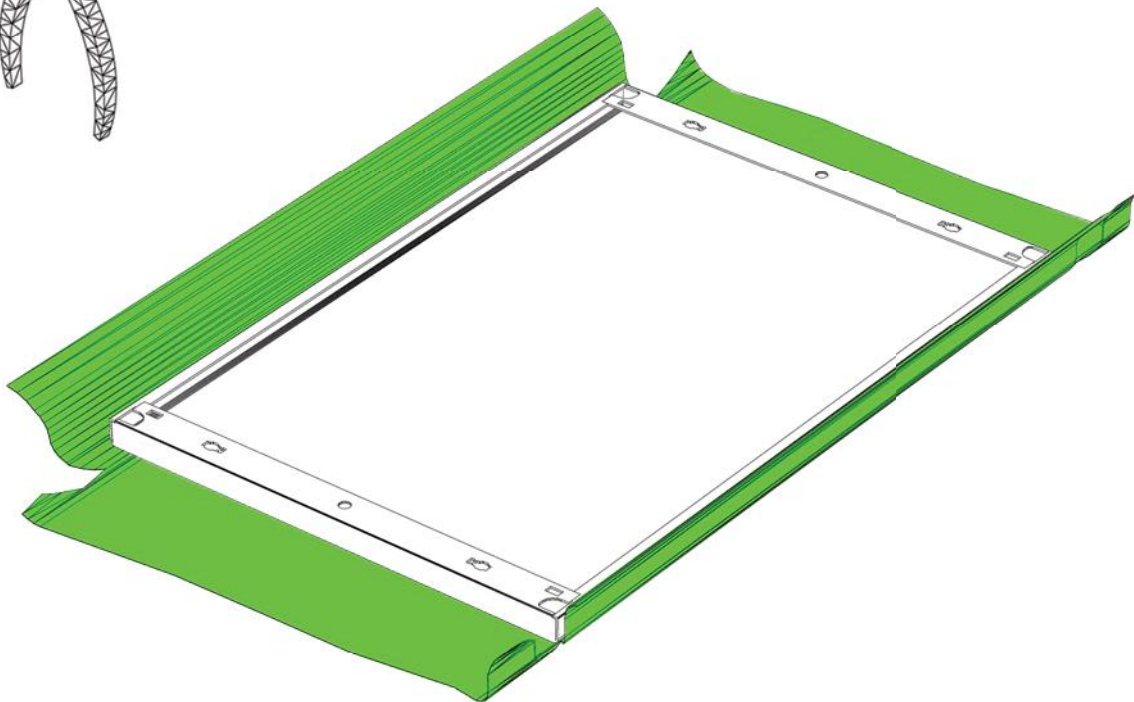
**WHAT LEGENDS ARE RE-MADE OF**

# Remanufactured HM Ethospace

## FABRIC FACED TILE DISASSEMBLY INSTRUCTIONS

### STEP 2

The fabric is adhered to the metal tile with glue. Use the needle nose pliers to pry the fabric up and peel it off of the tile. Disassembly of the fabric tile is now complete.

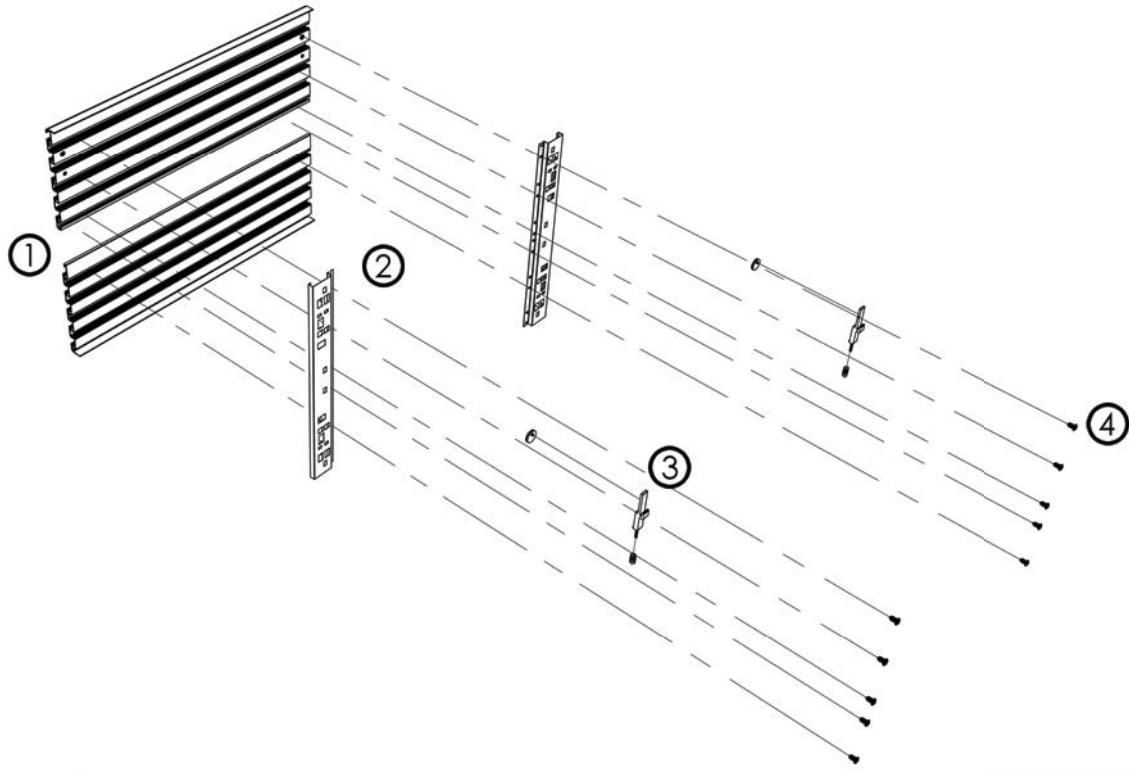


DAVIES  
office refurbishing, inc. 

WHAT LEGENDS ARE RE-MADE OF

# Remanufactured HM Ethospace RAIL TILE

## DISASSEMBLY INSTRUCTIONS



① Aluminum Tool Rail Sections (Extruded Aluminum) ♻️

② Attachment / Lock Bars (Steel) ♻️

③ Spring Loaded Lock Mechanism (Aluminum) ♻️

④ Hardware (steel) ♻️



x2



x10

♻️ Items that should be recycled if they cannot be re-used or remanufactured. For more information on where to recycle materials or other recovery options, please review the Davies End of Life Recycling Infrastructure Matrix and Davies End of Life Recovery Options Matrix.

Available online at: <http://daviesoffice.com/environment/>



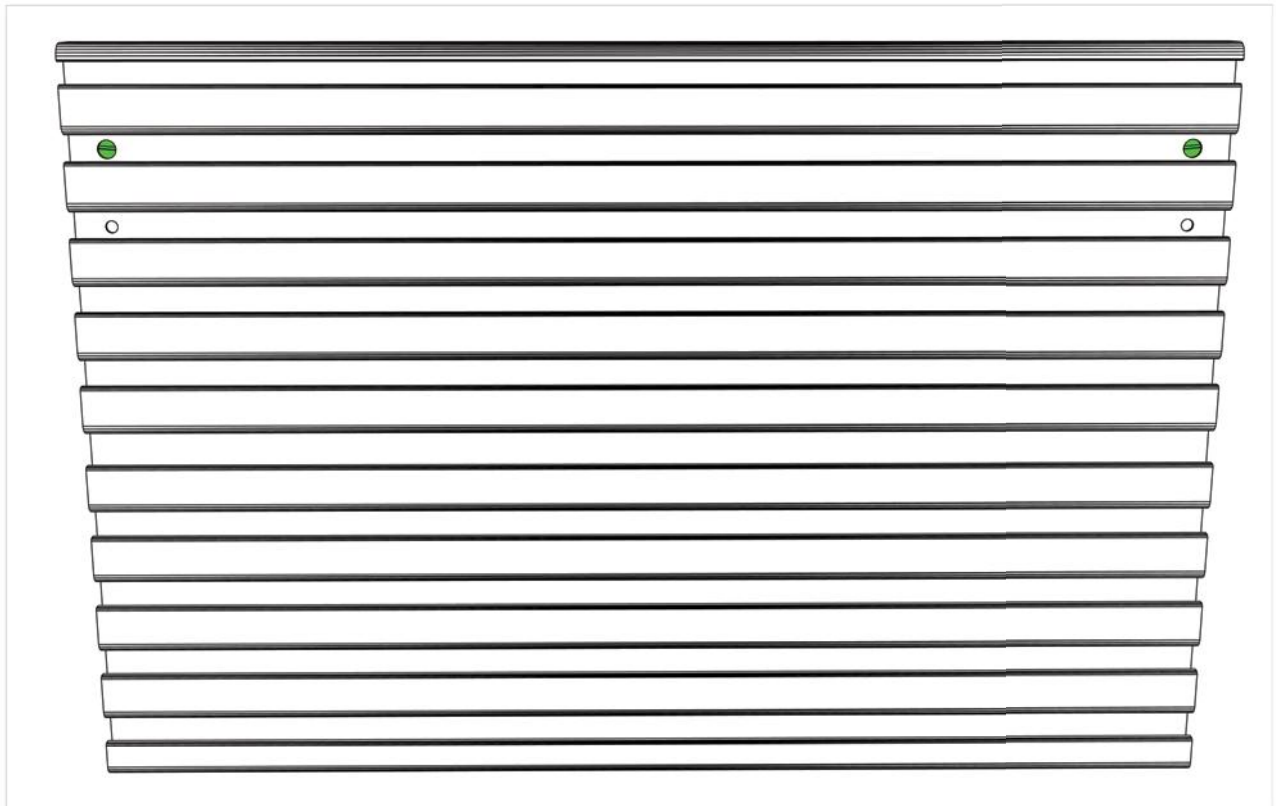
WHAT LEGENDS ARE RE-MADE OF

# Remanufactured HM Ethospace

## RAIL TILE DISASSEMBLY INSTRUCTIONS

### STEP 1

Rail Tiles are locked into Panel frames to prevent them from falling. In order to remove them from the panel frame you must use a flathead screwdriver to turn the lock actuators.



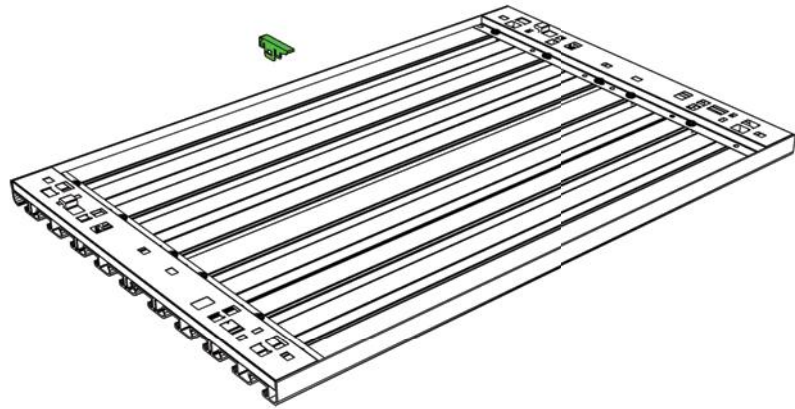


# Remanufactured HM Ethospace

## RAIL TILE DISASSEMBLY INSTRUCTIONS

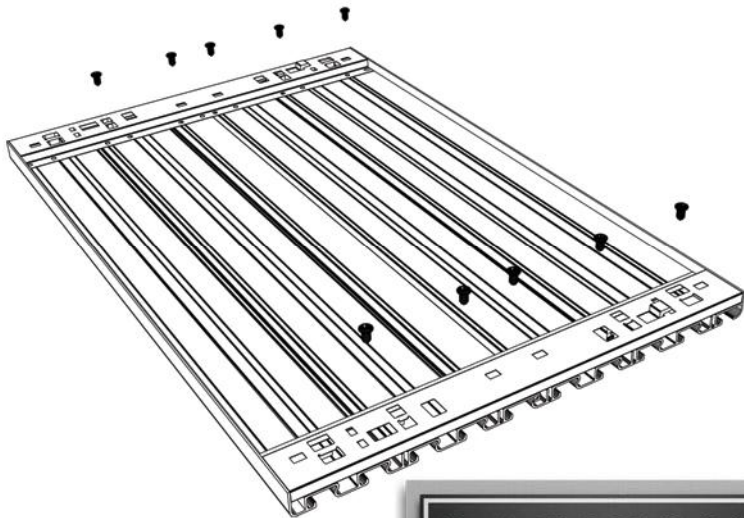
### STEP 2

Use a pair of needle nose pliers to pry the alignment brackets out of the steel tile frame.



### STEP 3

Remove (10) screws with a philips-head screwdriver.



**DAVIES**  
office refurbishing, inc.



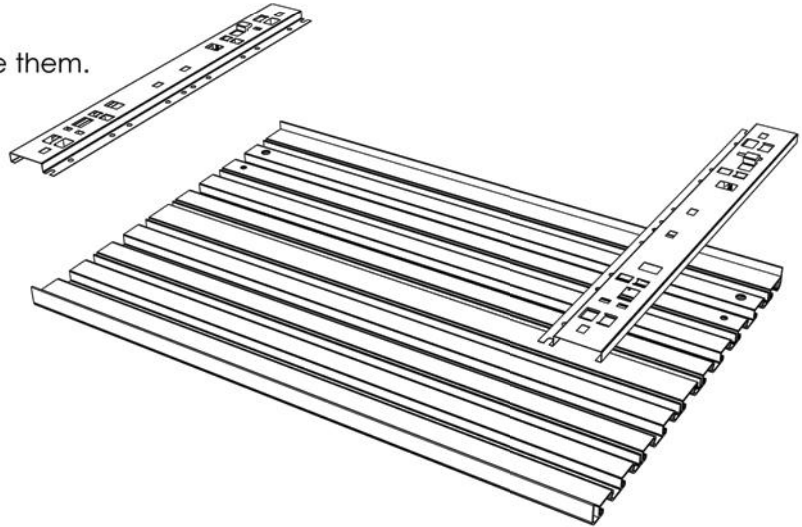
WHAT LEGENDS ARE RE-MADE OF

# Remanufactured HM Ethospace

## RAIL TILE DISASSEMBLY INSTRUCTIONS

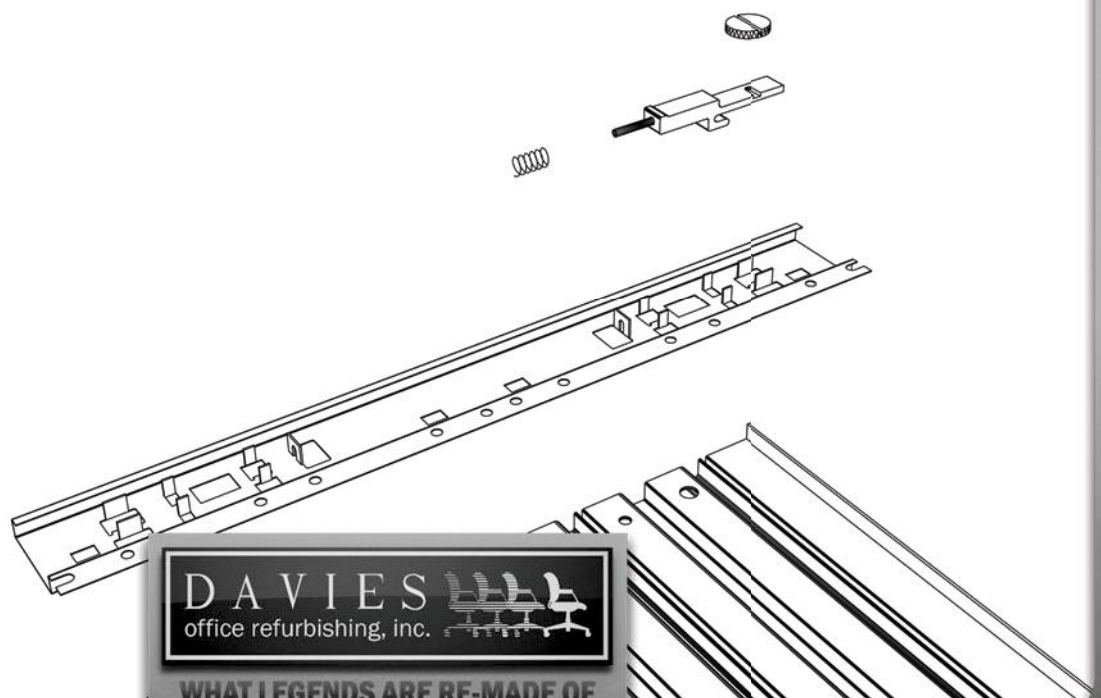
### STEP 4

Steel side rails are now free. remove them.



### STEP 5

Each rail contains a lock mechanism that can now be removed.



**DAVIES**  
office refurbishing, inc.



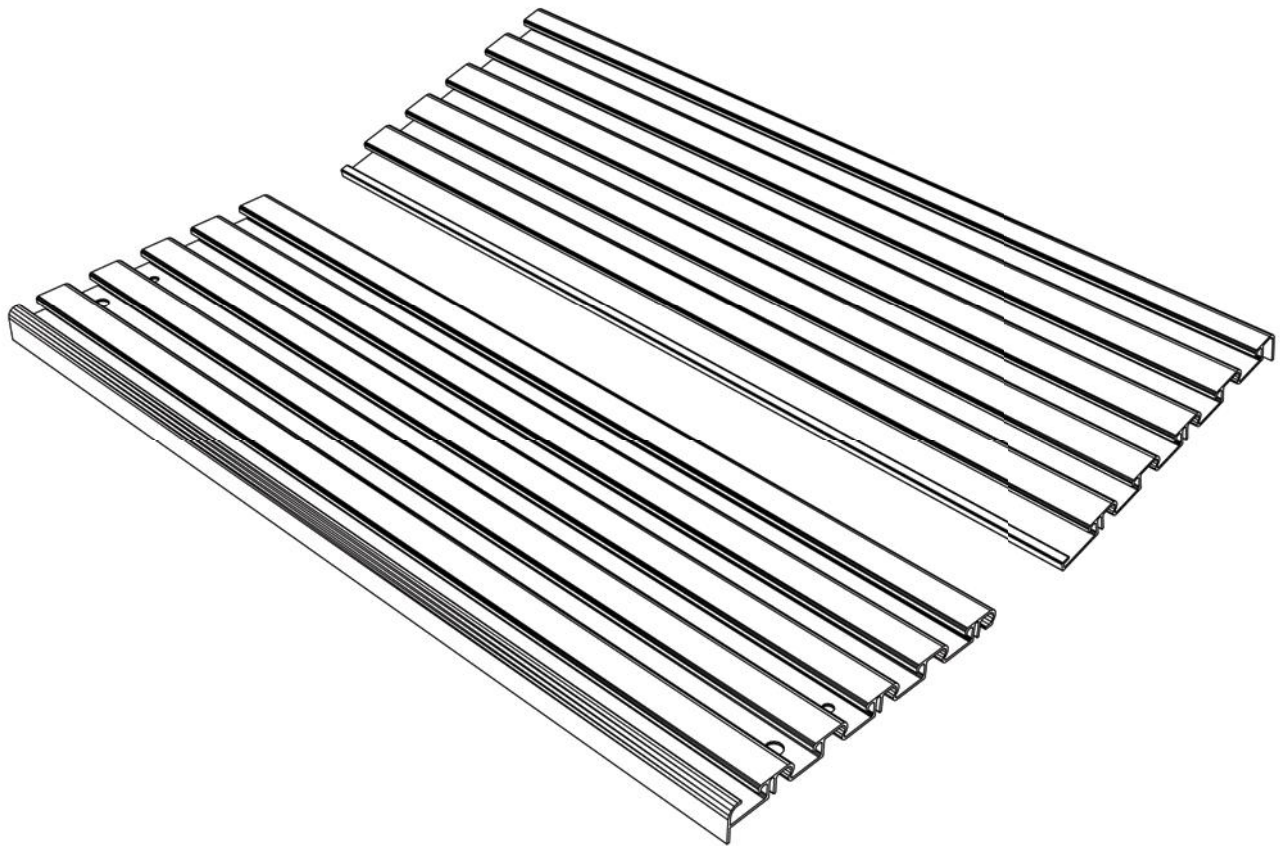
**WHAT LEGENDS ARE RE-MADE OF**

# Remanufactured HM Ethospace

## RAIL TILE DISASSEMBLY INSTRUCTIONS

### STEP 6

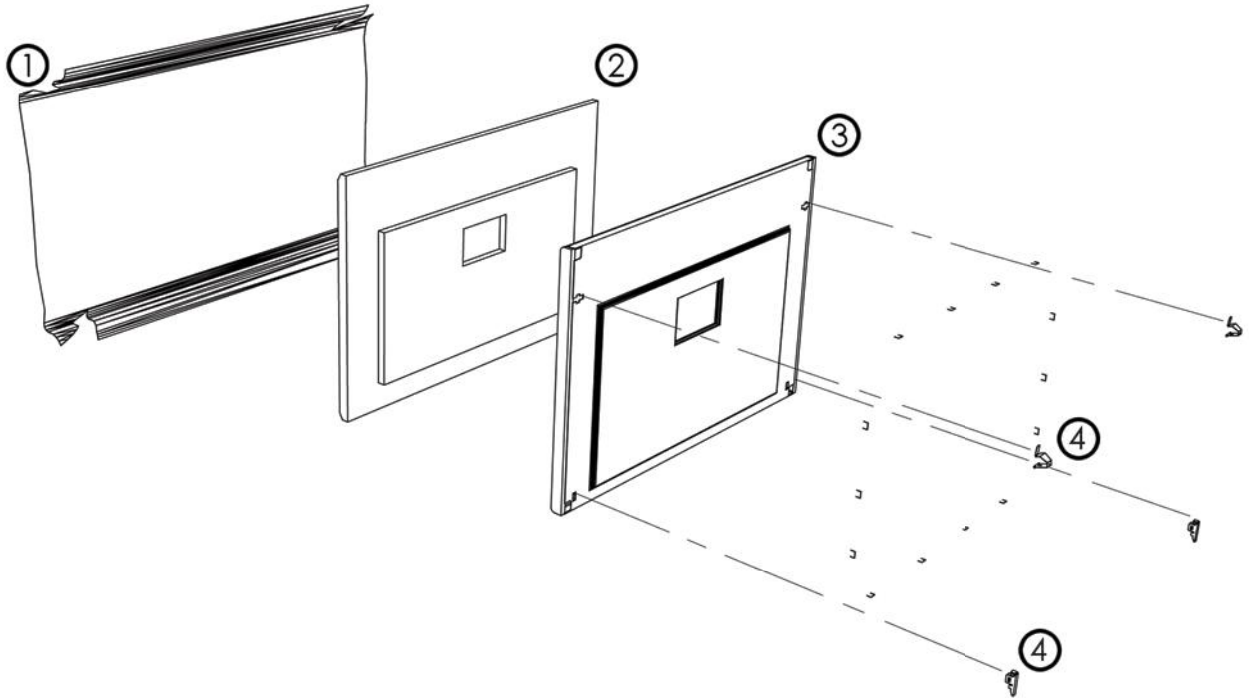
Aluminum rail tile can now be separated into two pieces. Done!



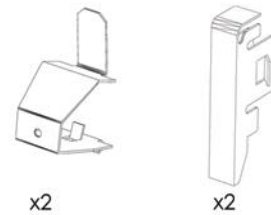
DAVIES  
office refurbishing, inc. 

WHAT LEGENDS ARE RE-MADE OF

# Remanufactured HM Ethospace ACOUSTIC TILE DISASSEMBLY INSTRUCTIONS



- ① Panel Fabric (Polyester)
- ② Fiberglass Batting (Fiberglass)
- ③ Steel Tile Frame / Shell (steel) ♻️
- ④ Steel Clips / Staples (steel) ♻️



♻️ Items that should be recycled if they cannot be re-used or remanufactured. For more information on where to recycle materials or other recovery options, please review the Davies End of Life Recycling Infrastructure Matrix and Davies End of Life Recovery Options Matrix.

Available online at: <http://daviesoffice.com/environment/>



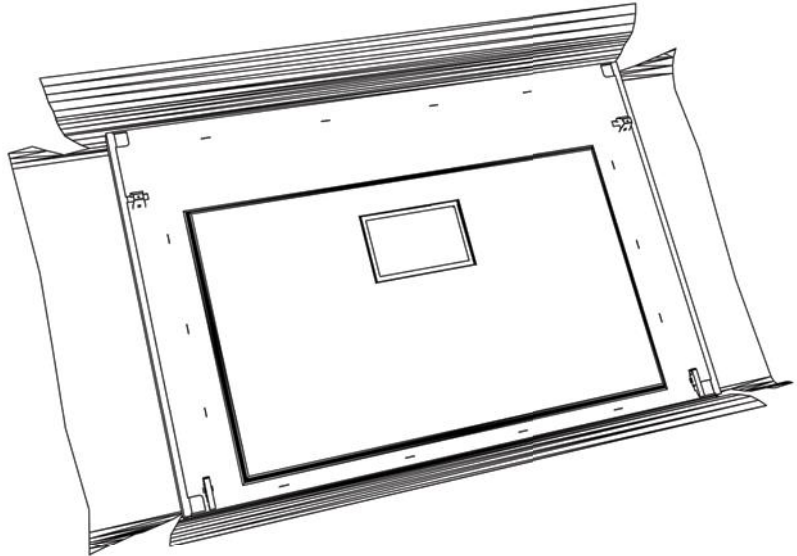
**WHAT LEGENDS ARE RE-MADE OF**

# Remanufactured HM Ethospace

## ACOUSTIC TILE DISASSEMBLY INSTRUCTIONS

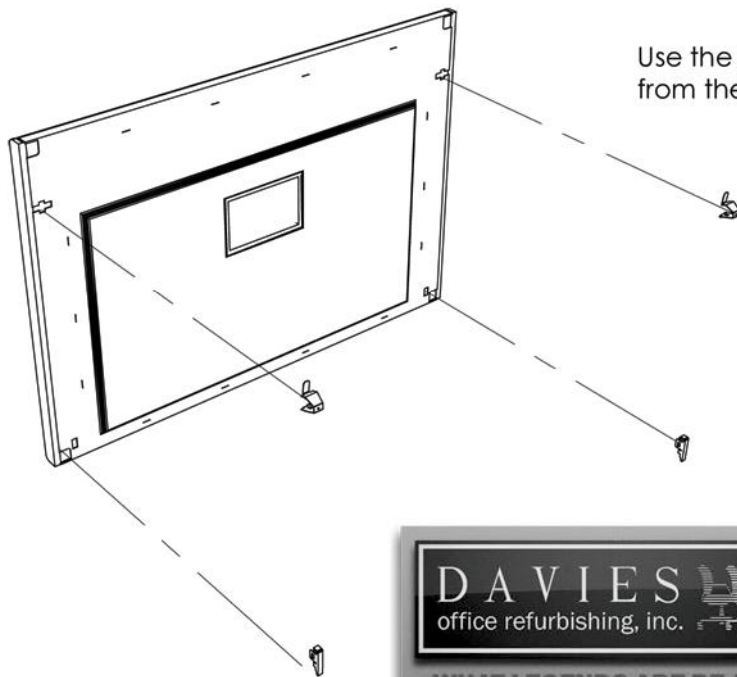
### STEP 1

Peel the panel fabric from the steel tile frame. It might help to use needle nose pliers to get the fabric peel started.



### STEP 2

Use the pliers to squeeze and remove the clips from the tile frame.



**DAVIES**  
office refurbishing, inc.



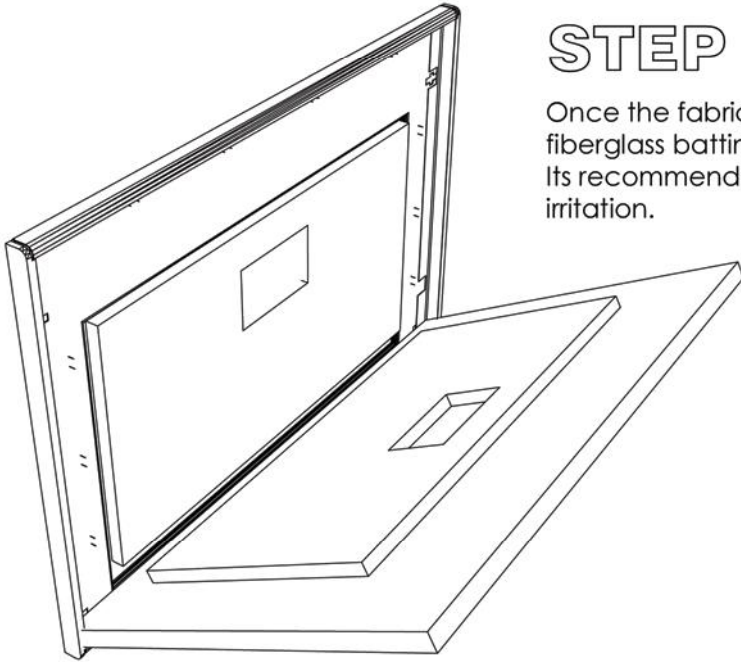
WHAT LEGENDS ARE RE-MADE OF

# Remanufactured HM Ethospace

## ACOUSTIC TILE DISASSEMBLY INSTRUCTIONS

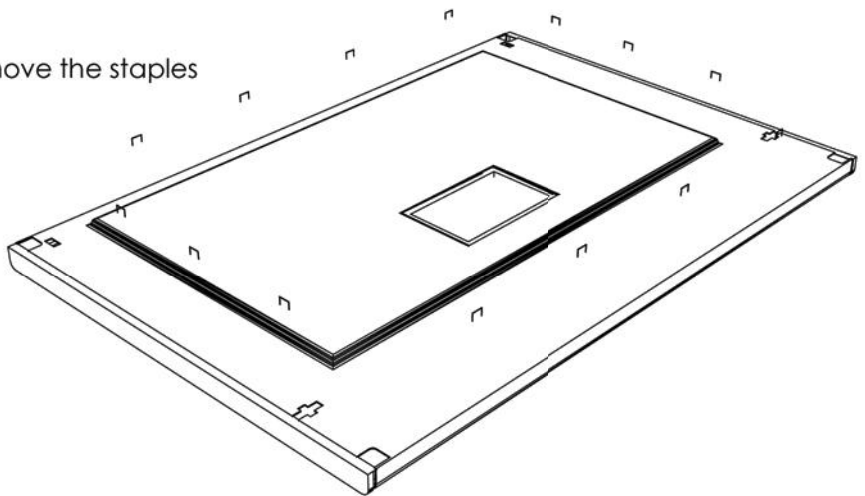
### STEP 3

Once the fabric has been removed from the frame the fiberglass batting is accessible. Pull it out of the frame. Its recommended that you wear gloves to avoid skin irritation.



### STEP 4

Use the needle nose pliers to remove the staples from the back of the frame.



**DAVIES**  
office refurbishing, inc.



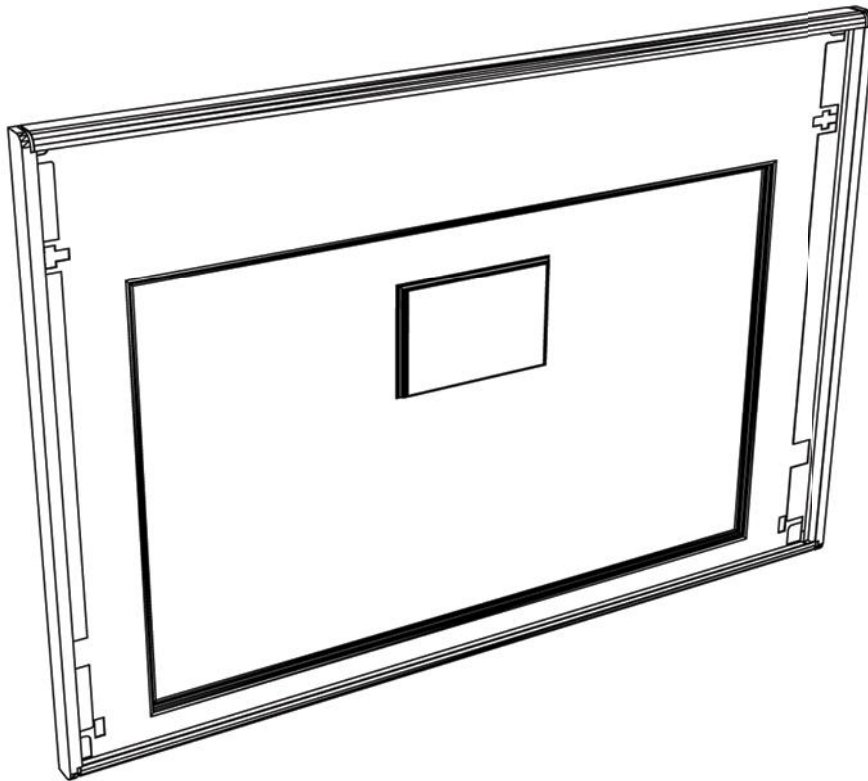
**WHAT LEGENDS ARE RE-MADE OF**

# Remanufactured HM Ethospace

## ACOUSTIC TILE DISASSEMBLY INSTRUCTIONS

### STEP 5

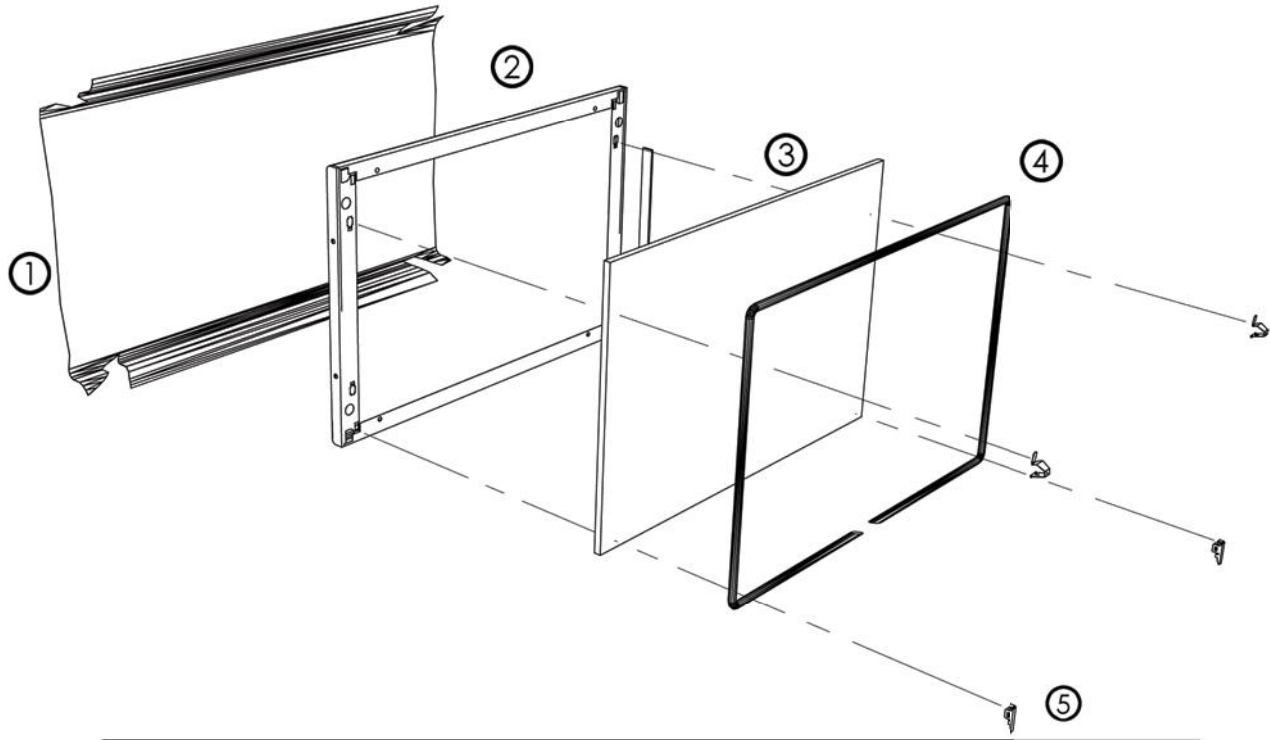
You're finished! All that is left is a steel tile frame/shell.



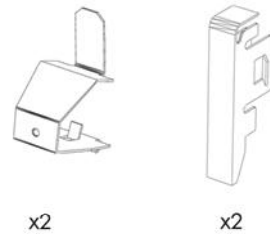
DAVIES  
office refurbishing, inc. 

WHAT LEGENDS ARE RE-MADE OF

# Remanufactured HM Ethospace TACKABLE TILE DISASSEMBLY INSTRUCTIONS



- ① Panel fabric skin (polyester/wool)
- ② Metal tile frame (steel) ♻️
- ③ Tackable particle board (wood fiber)
- ④ Polystyrene foam retention cord (foam)
- ⑤ Steel clips (steel) ♻️



♻️ Items that should be recycled if they cannot be re-used or remanufactured. For more information on where to recycle materials or other recovery options, please review the Davies End of Life Recycling infrastructure Matrix and Davies End of Life Recovery Options Matrix.

Available online at: <http://daviesoffice.com/environment/>



**WHAT LEGENDS ARE RE-MADE OF**

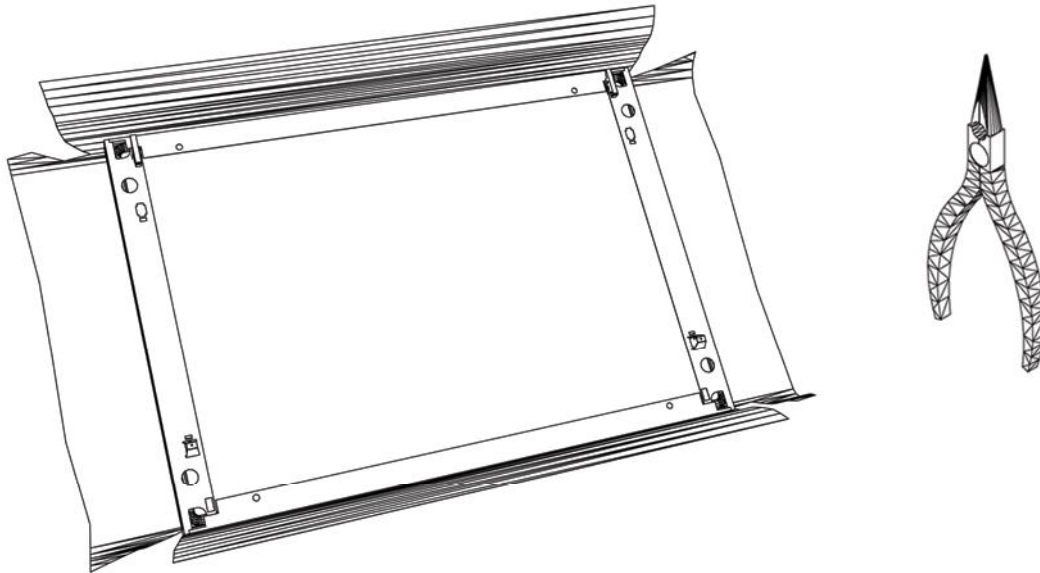


# Remanufactured HM Ethospace

## TACKABLE TILE DISASSEMBLY INSTRUCTIONS

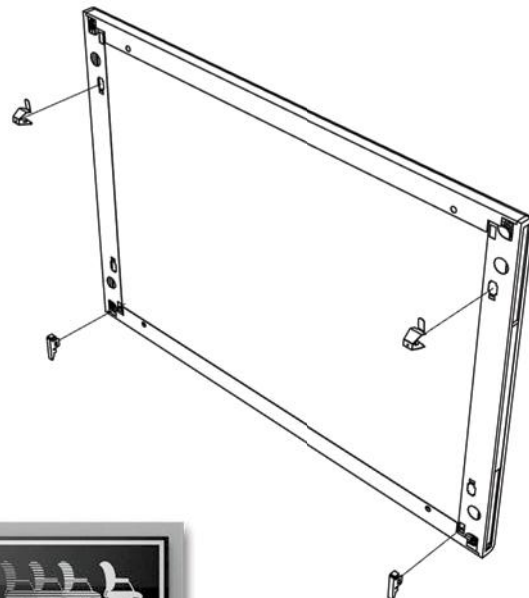
### STEP 1

Peel the panel fabric from the steel tile frame. It might help to use needle nose pliers to get the fabric peel started.



### STEP 2

Use the pliers to squeeze and remove the clips from the tile frame.



**DAVIES**  
office refurbishing, inc.



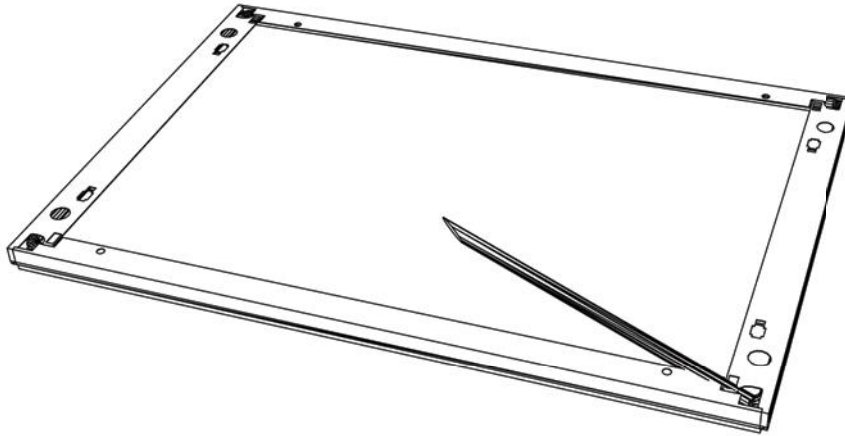
WHAT LEGENDS ARE RE-MADE OF

# Remanufactured HM Ethospace

## TACKABLE TILE DISASSEMBLY INSTRUCTIONS

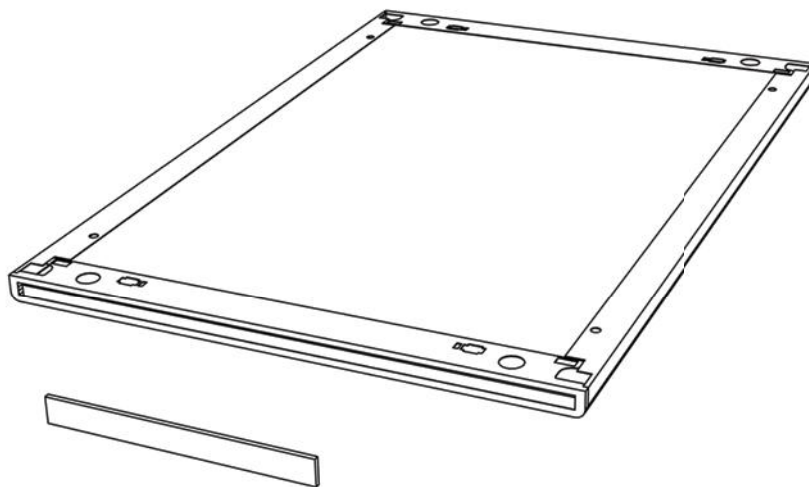
### STEP 3

There is a foam cord that runs around the back of the frame. It keeps the tackable board flush with the front of the tile. Using your fingers pull the cord out.



### STEP 4

Look at the side of the tile. One side has a slit. There is a small plastic block behind the slit. It keeps the tackable board from sliding out of the tile. Remove the plastic block.



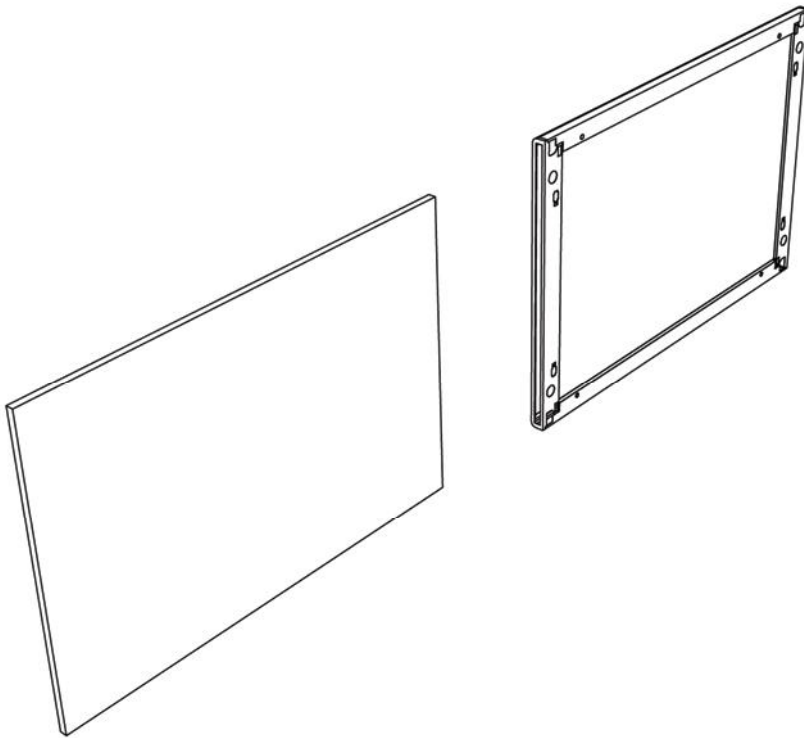
WHAT LEGENDS ARE RE-MADE OF

# Remanufactured HM Ethospace

## TACKABLE TILE DISASSEMBLY INSTRUCTIONS

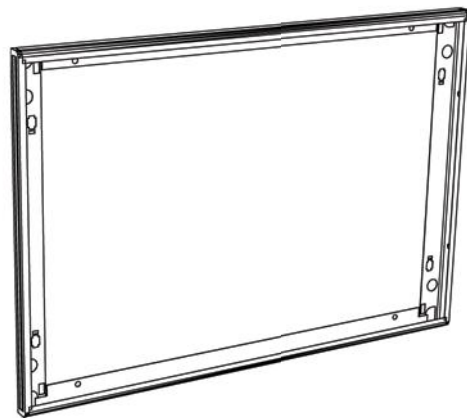
### STEP 5

Slide the tackable partial board out of the side of the tile.



### STEP 6

Finished!

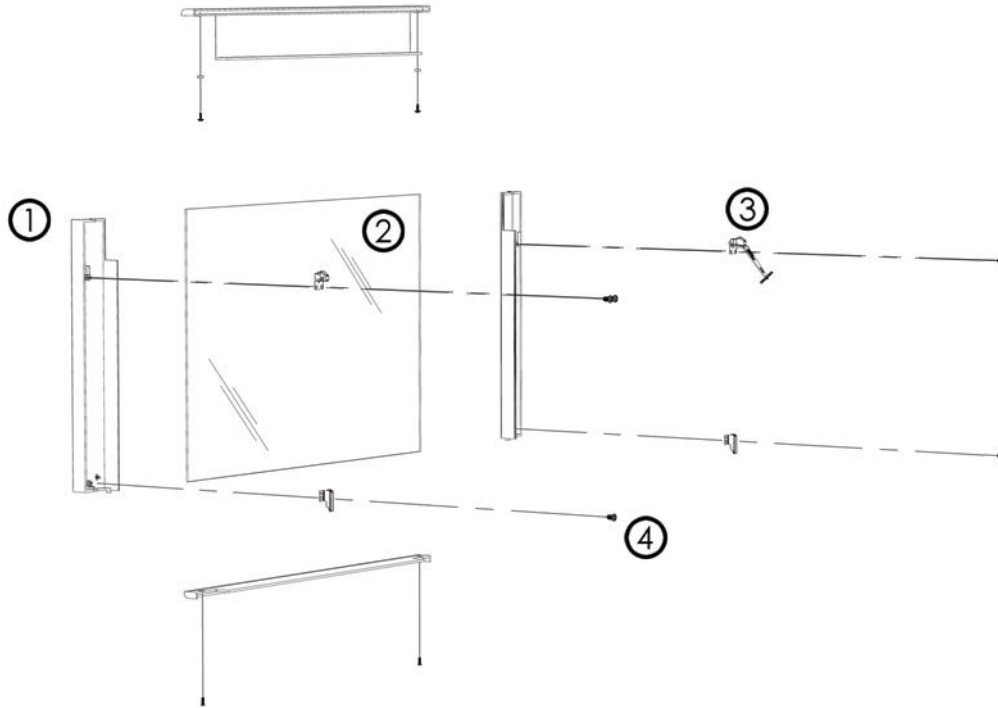


DAVIES  
office refurbishing, inc.



WHAT LEGENDS ARE RE-MADE OF

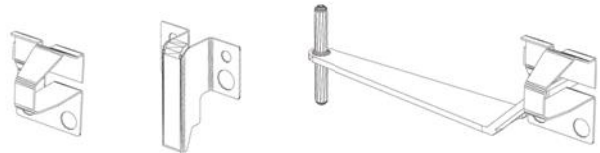
# Remanufactured HM Ethospace GLASS TILE DISASSEMBLY INSTRUCTIONS



① Plastic tile frame (ABS plastic)

② Glass window (glass)

③ Spring clips and alignment brackets (steel) ♻️



④ Hardware (steel) ♻️



♻️ Items that should be recycled if they cannot be re-used or remanufactured. For more information on where to recycle materials or other recovery options, please review the Davies End of Life Recycling Infrastructure Matrix and Davies End of Life Recovery Options Matrix.

Available online at: <http://daviesoffice.com/environment/>

**DAVIES**  
office refurbishing, inc.



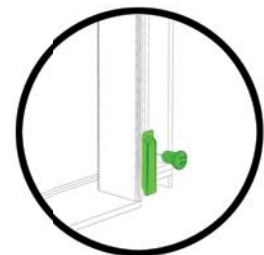
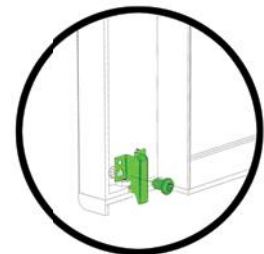
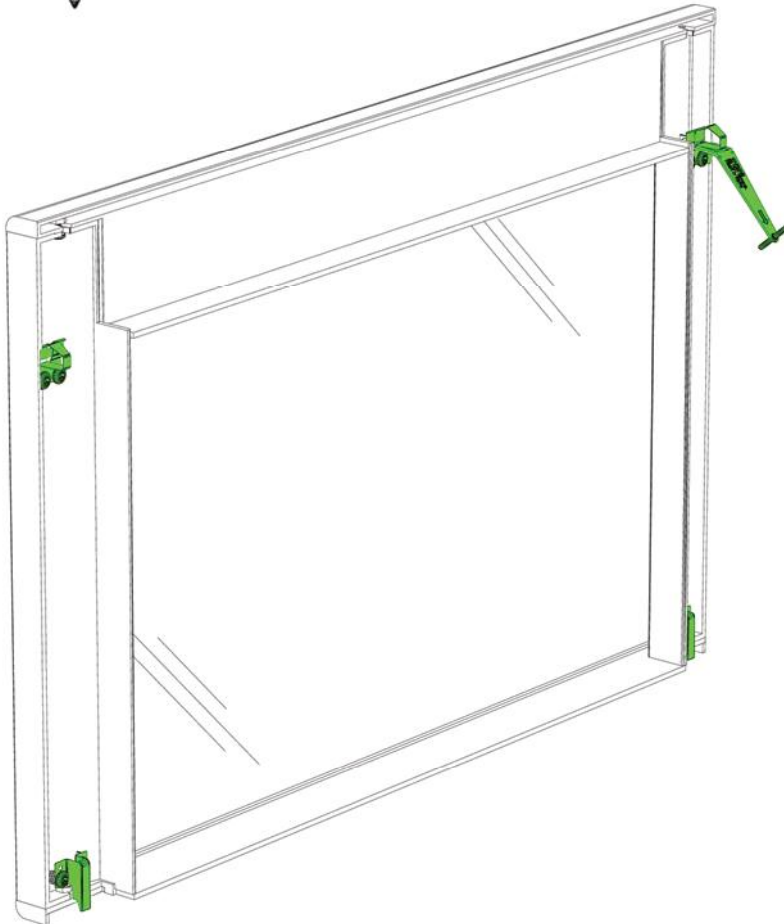
**WHAT LEGENDS ARE RE-MADE OF**

# Remanufactured HM Ethospace

## GLASS TILE DISASSEMBLY INSTRUCTIONS

### STEP 1

Start by removing the spring clips and alignment brackets from the back of the tile. This can be done with a flat head screwdriver. once the screws have been removed the clips and brackets will be free.



**DAVIES**  
office refurbishing, inc.



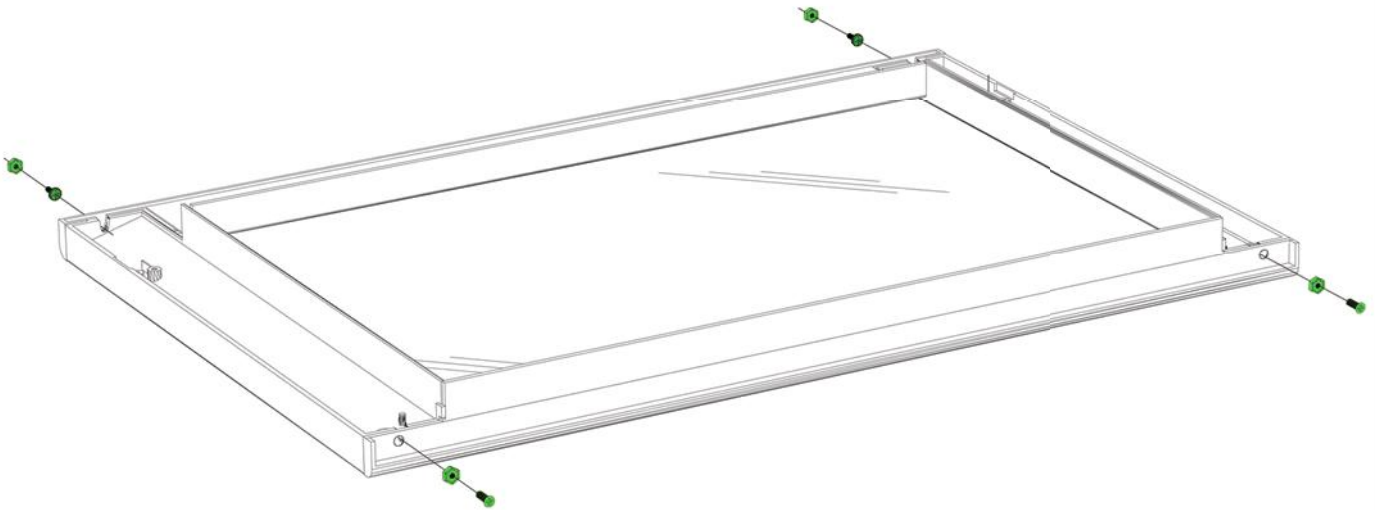
WHAT LEGENDS ARE RE-MADE OF

# Remanufactured HM Ethospace

## GLASS TILE DISASSEMBLY INSTRUCTIONS

### STEP 2

Next, lay the tile, glass-side down, on a flat surface. With your philips head screwdriver remove the screws from the underside and top of the tile frame.



DAVIES  
office refurbishing, inc. 

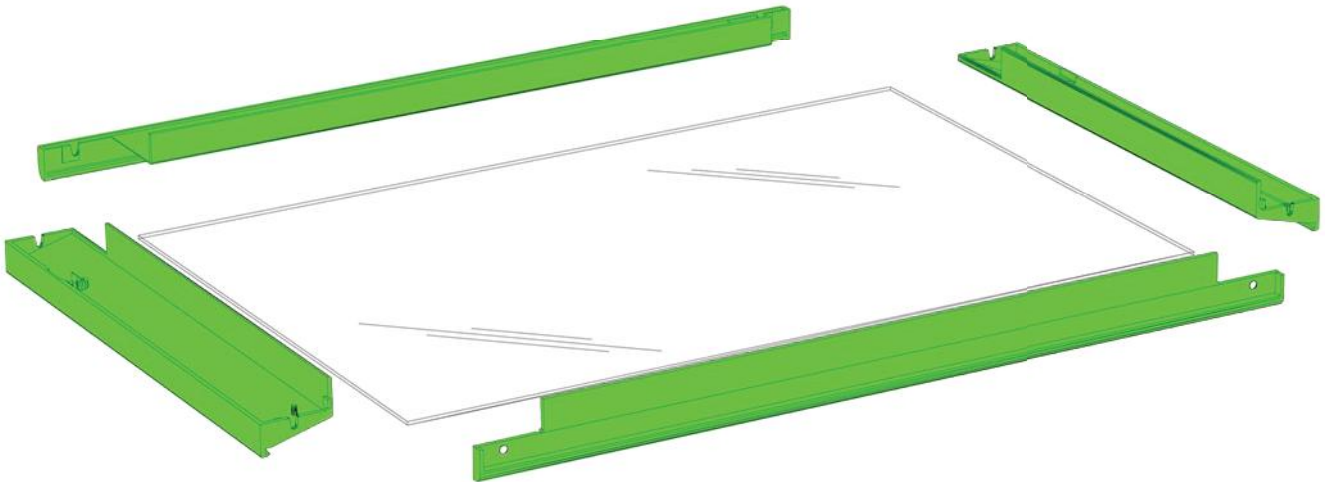
WHAT LEGENDS ARE RE-MADE OF

# Remanufactured HM Ethospace

## GLASS TILE DISASSEMBLY INSTRUCTIONS

### STEP 3

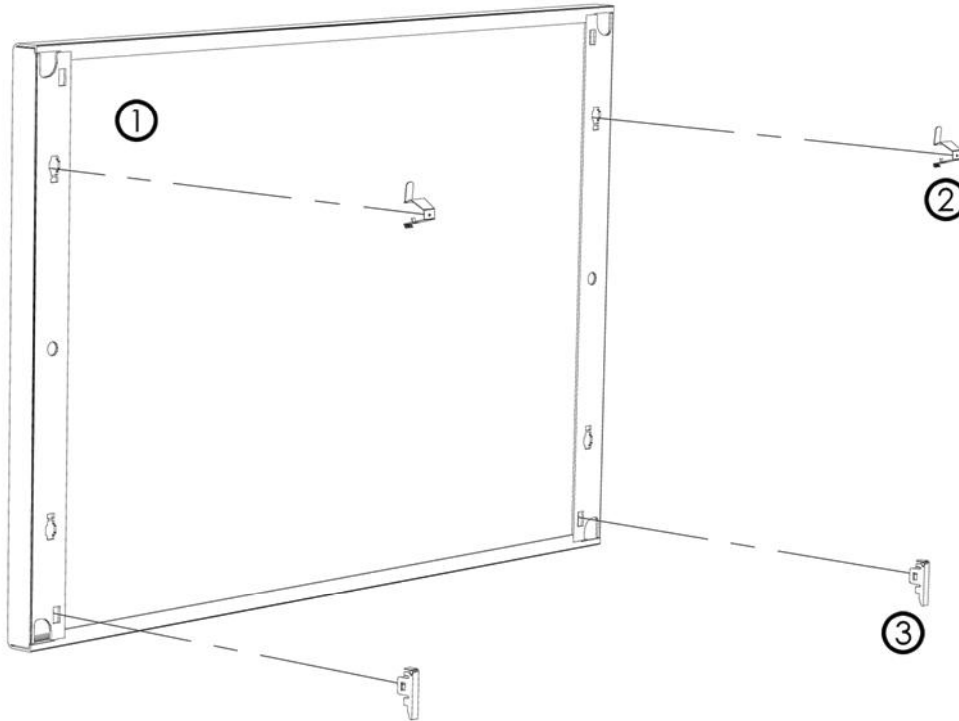
Now, the plastic frame can be separated and completely removed from the glass.



DAVIES  
office refurbishing, inc. 

WHAT LEGENDS ARE RE-MADE OF

# Remanufactured HM Ethospace PAINTED FACE TILE DISASSEMBLY INSTRUCTIONS



① (1) Metal Tile (steel) ♻️

② (2) Spring clip (steel) ♻️

③ (2) Alignment bracket (steel) ♻️



♻️ Items that should be recycled if they cannot be re-used or remanufactured. For more information on where to recycle materials or other recovery options, please review the Davies End of Life Recycling Infrastructure Matrix and Davies End of Life Recovery Options Matrix.

Available online at: <http://daviesoffice.com/environment/>

**DAVIES**  
office refurbishing, inc. 

**WHAT LEGENDS ARE RE-MADE OF**

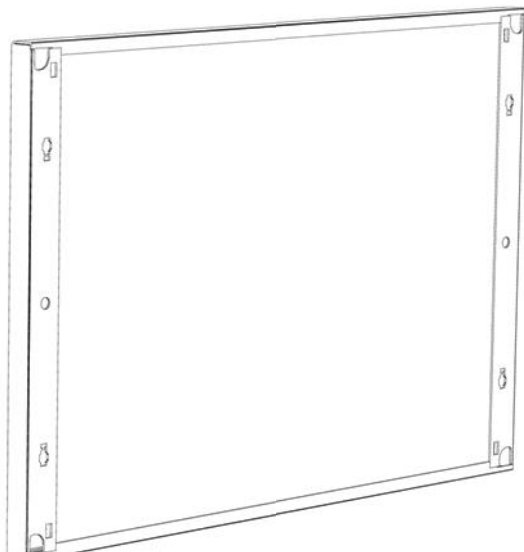
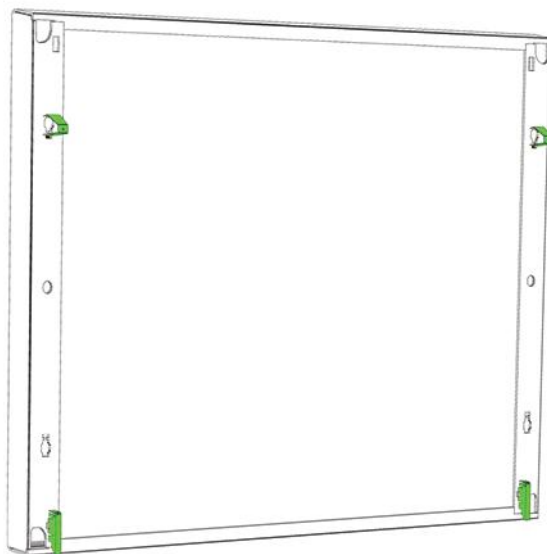


# Remanufactured HM Ethospace

## PAINTED FACE TILE DISASSEMBLY INSTRUCTIONS

### STEP 1

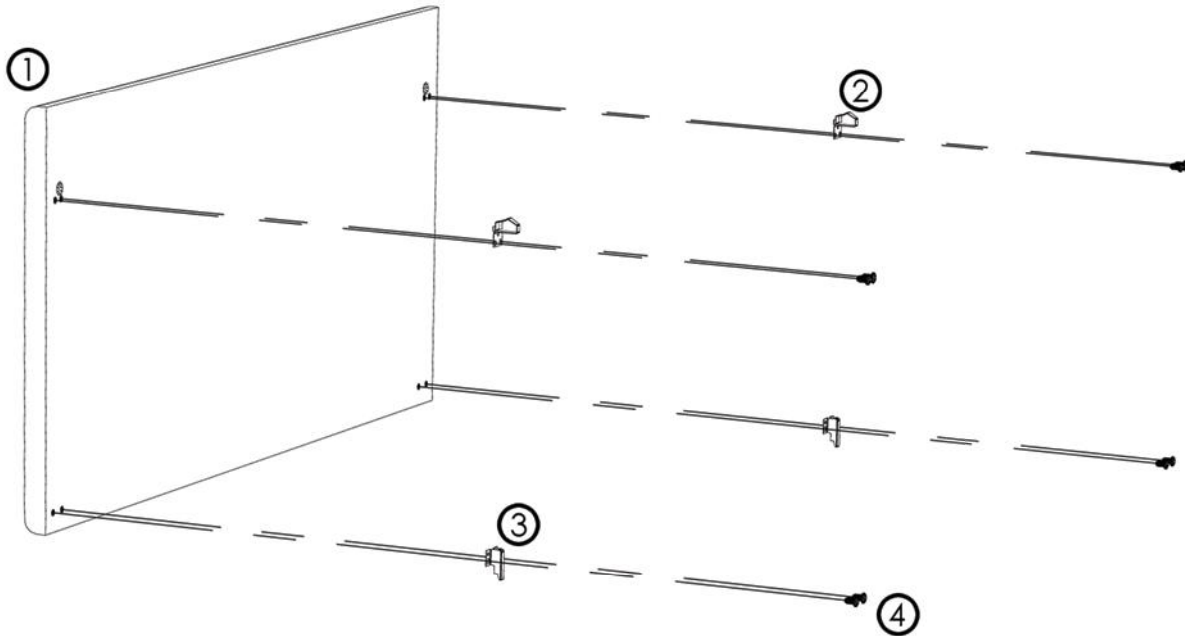
Using a pair of needle nose pliers, squeeze the spring clips and alignment brackets and pull them out of the metal tile frame.



**DAVIES**   
office refurbishing, inc.

**WHAT LEGENDS ARE RE-MADE OF**

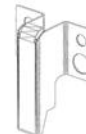
# Remanufactured HM Ethospace HARD-SURFACE TILE DISASSEMBLY INSTRUCTIONS



① (1) Solid core tile with Laminate or Veneer (particle Board)



② (2) Spring clip w/ screw holes (steel) ♻️



③ (2) Alignment bracket w/ screw holes (steel) ♻️

④ (8) Wood screws (steel) ♻️



♻️ Items that should be recycled if they cannot be re-used or remanufactured. For more information on where to recycle materials or other recovery options, please review the Davies End of Life Recycling Infrastructure Matrix and Davies End of Life Recovery Options Matrix.

Available online at: <http://daviesoffice.com/environment/>

**DAVIES**  
office refurbishing, inc. 

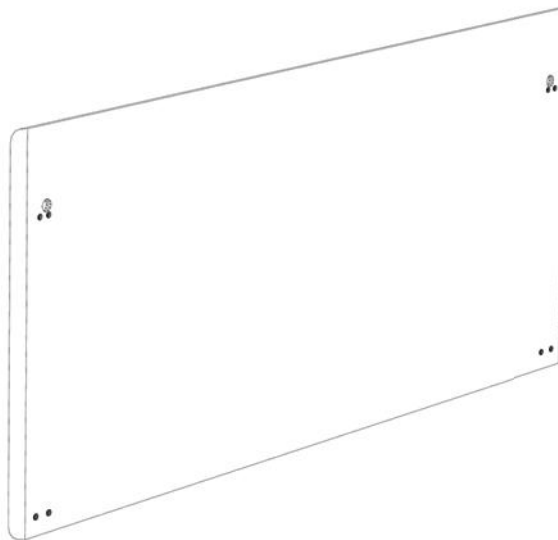
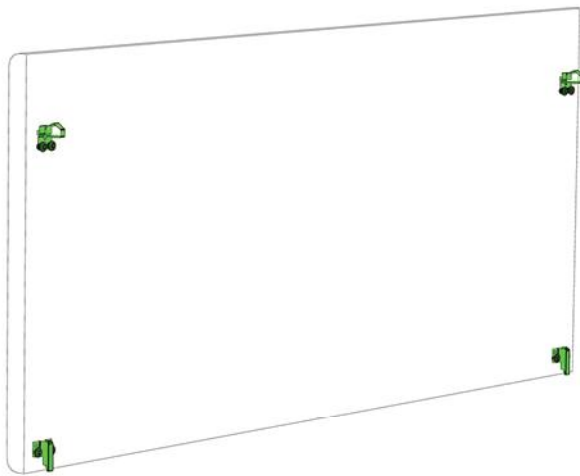
**WHAT LEGENDS ARE RE-MADE OF**

# Remanufactured HM Ethospace

## HARD-SURFACE TILE DISASSEMBLY INSTRUCTIONS

### STEP 1

Using a philips head screwdriver remove the wood screws holding the spring clips and alignment brackets. You're done!



DAVIES  
office refurbishing, inc. 

WHAT LEGENDS ARE RE-MADE OF