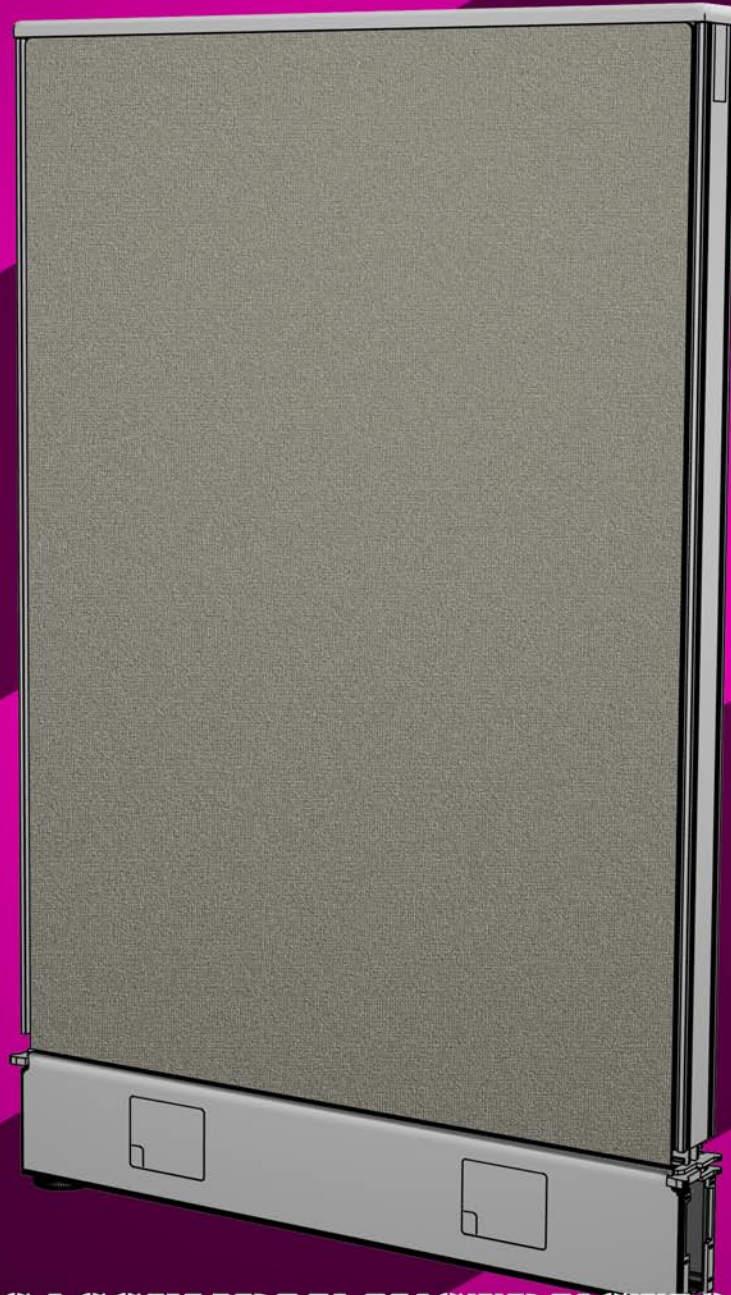


Davies Remanufactured
HAWORTH PLACES



DISASSEMBLY INSTRUCTIONS



DAVIES REMANUFACTURED
HAWORTH PLACES
DISASSEMBLY INSTRUCTIONS

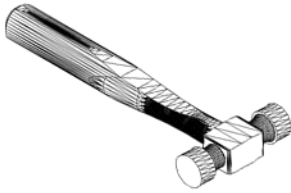
STANDARD TOOLS REQUIRED



Standard Flat-Head Screwdriver



Standard #2 Phillips Head Screwdriver



Hammer or Mallet



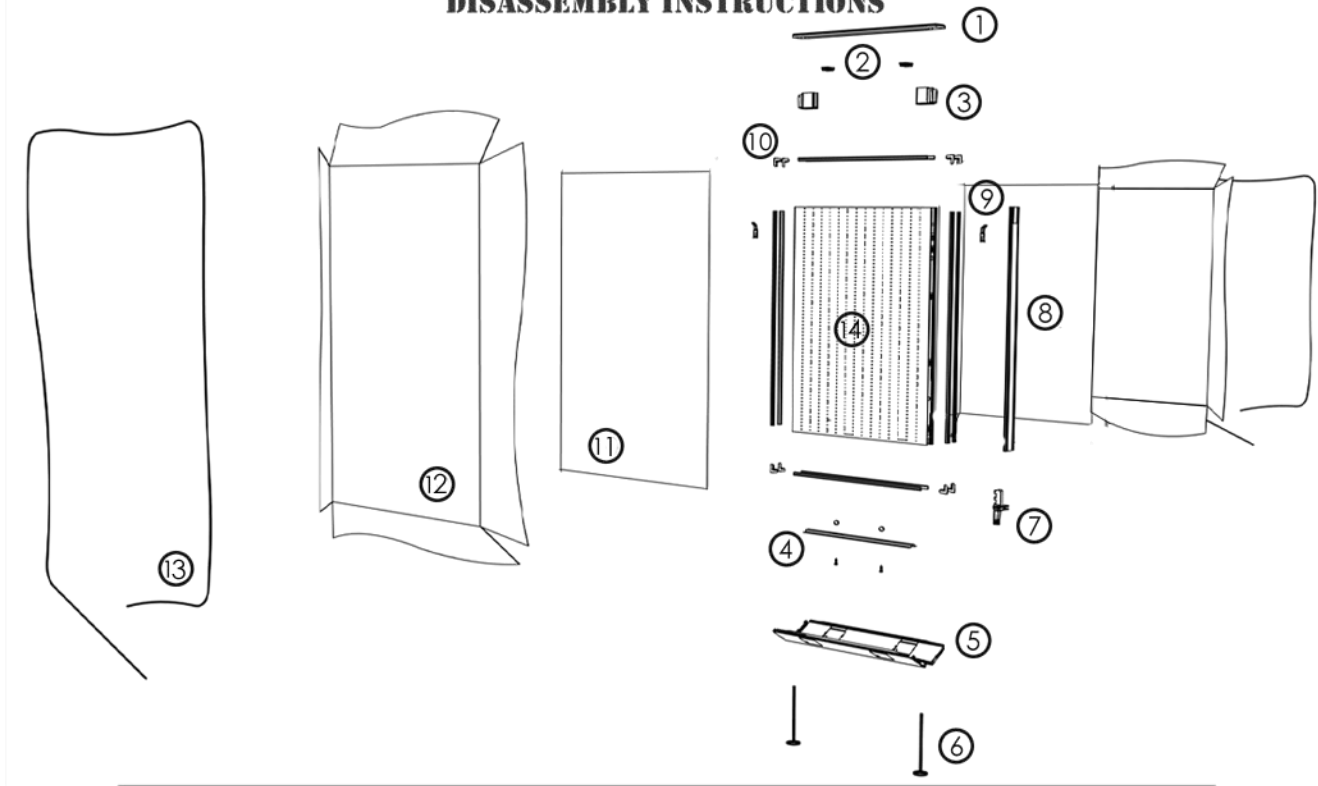
Needle Nose Pliers



WHAT LEGENDS ARE RE-MADE OF

DAVIES REMANUFACTURED HAWORTH PLACES

DISASSEMBLY INSTRUCTIONS



- | | |
|---------------------------------------|---|
| ① (1) Top-Cap (steel) ♻️ | ⑧ (2) Side Rail (aluminum) ♻️ |
| ② (4) Top-Cap Clips (plastic) | ⑨ (2) Side Rail Clip (steel) ♻️ |
| ③ (2) Wire Shield (plastic) | ⑩ (8) Cord Retention Channel (steel) ♻️ |
| ④ (1) Base Bracket (steel) ♻️ | ⑪ (2) Acoustical Batting (fiberglass) |
| ⑤ (1) Kick-Plate (plastic) | ⑫ (2) Panel Fabric (polyester) |
| ⑥ (2) Leveling Glides (steel/plastic) | ⑬ (2) Fabric Retention Cord (paper) |
| ⑦ (2) Panel Legs (steel) ♻️ | ⑭ (2) Panel Core (steel/paper) |

♻️ Items that should be recycled if they cannot be re-used or remanufactured. For more information on where to recycle materials or other recovery options, please review the Davies End of Life Recycling Infrastructure Matrix and Davies End of Life Recovery Options Matrix.

Available online at: <http://daviesoffice.com/environment/>

Misc. Hardware



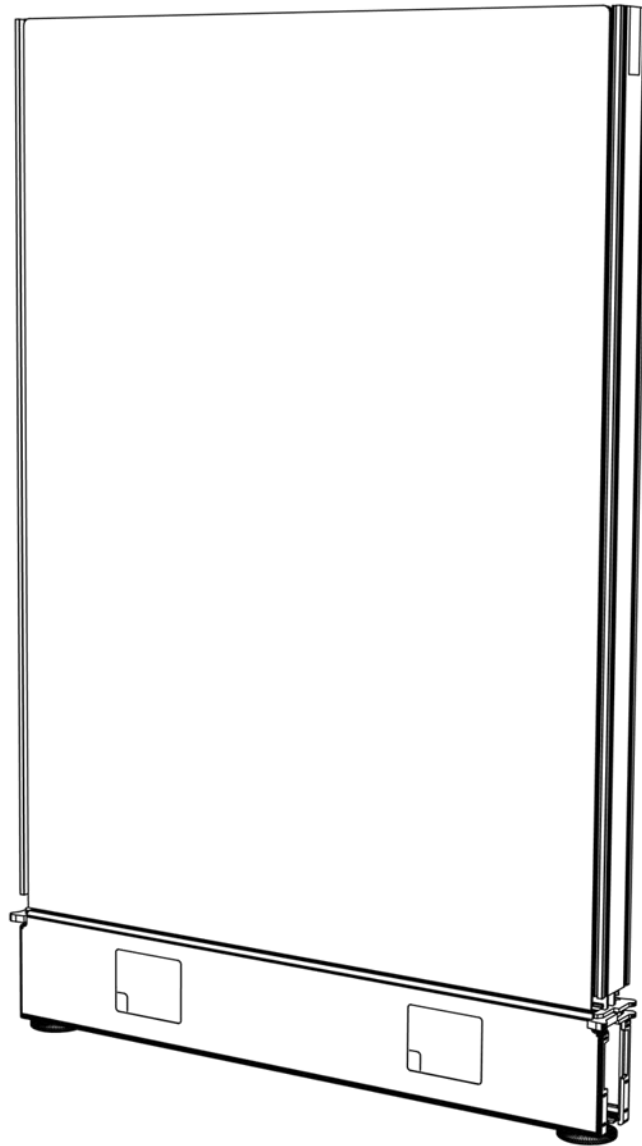
WHAT LEGENDS ARE RE-MADE OF



DAVIES REMANUFACTURED
HAWORTH PLACES
DISASSEMBLY INSTRUCTIONS

STEP 1

Remove top cap by pulling top cap straight up with both hands.

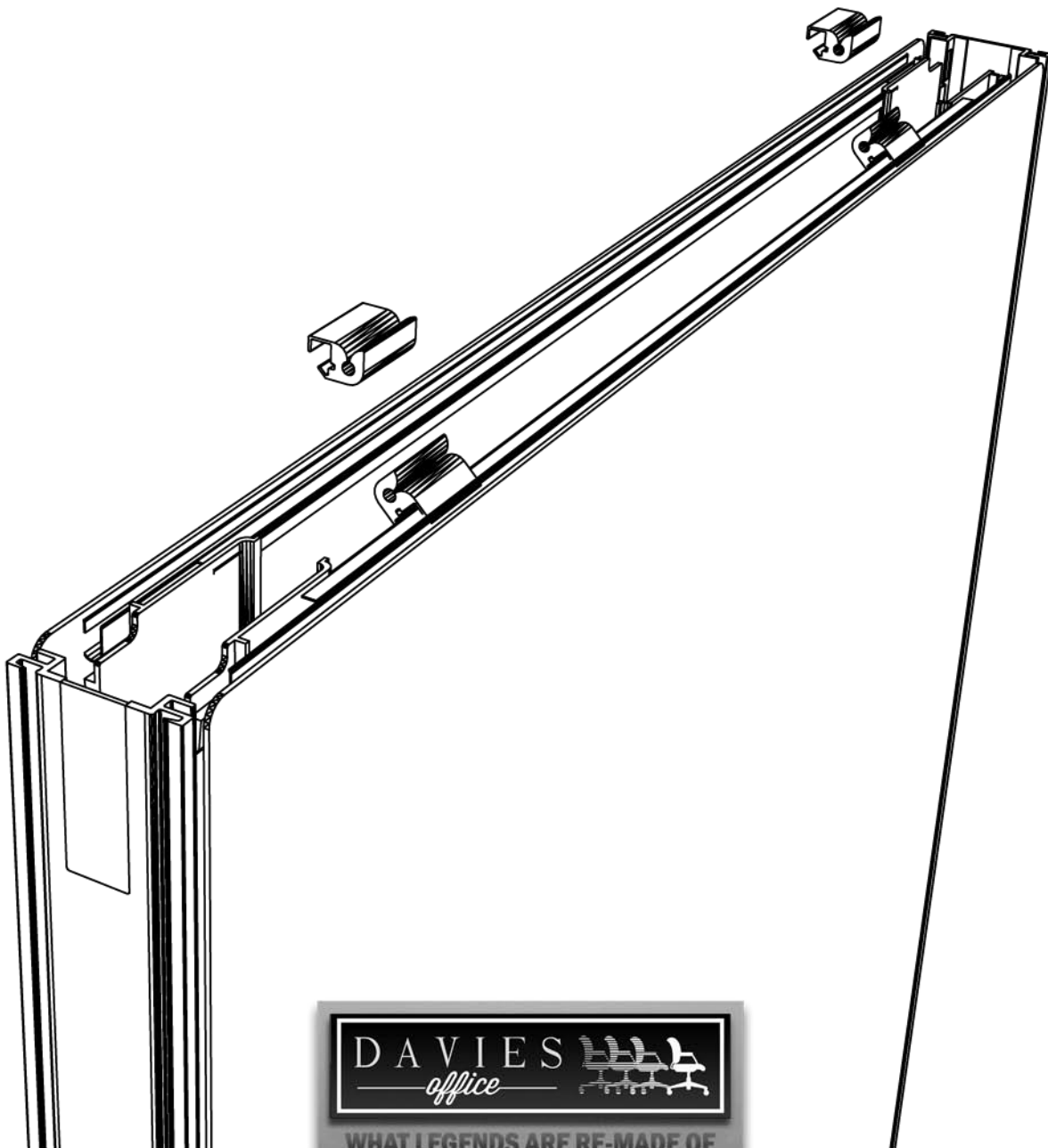


WHAT LEGENDS ARE RE-MADE OF

DAVIES REMANUFACTURED
HAWORTH PLACES
DISASSEMBLY INSTRUCTIONS

STEP 2

There are (4) black plastic clips that lock the top-cap into place. Using your fingers rotate the clips until they are free of the panel frame.



WHAT LEGENDS ARE RE-MADE OF

DAVIES REMANUFACTURED
HAWORTH PLACES
DISASSEMBLY INSTRUCTIONS

STEP 3

Now use your fingers to squeeze the sides of the plastic wire shields and lift them out of the panel frame.

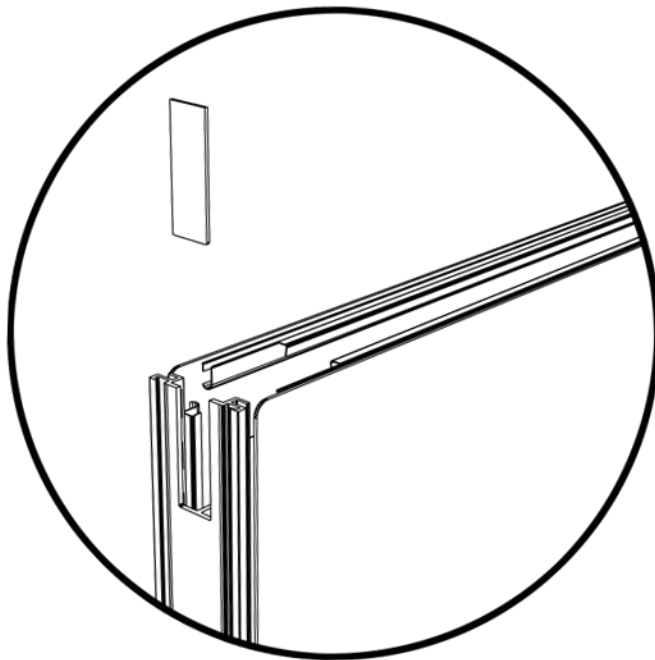


WHAT LEGENDS ARE RE-MADE OF

DAVIES REMANUFACTURED
HAWORTH PLACES
DISASSEMBLY INSTRUCTIONS

STEP 4

Removing the side rails from the panel can be a bit tricky. It may require the help of another person. The side rails are locked into place by a steel clip that's located behind the rails. You'll need a flat head screwdriver and a mallet in order to remove the rails.

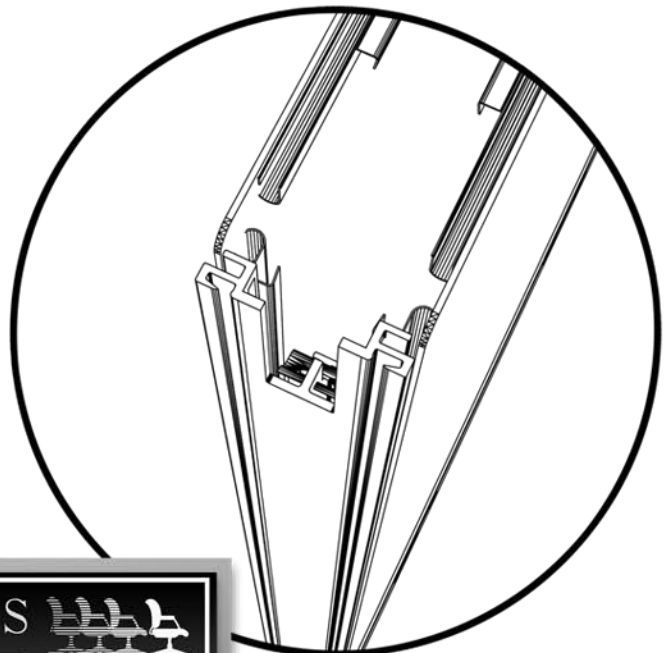


A.

There are two small plates on the top of each side rail that must be removed in order to access the spring clips that hold the rails on.

B.

Once the plates have been removed, you'll be able to see the spring clips that locks the rails to the frame. Place your flat head screwdriver into the tab on the spring clip and push it back toward the panel frame.



WHAT LEGENDS ARE RE-MADE OF

DAVIES REMANUFACTURED
HAWORTH PLACES
DISASSEMBLY INSTRUCTIONS

STEP 4 (CONT.)

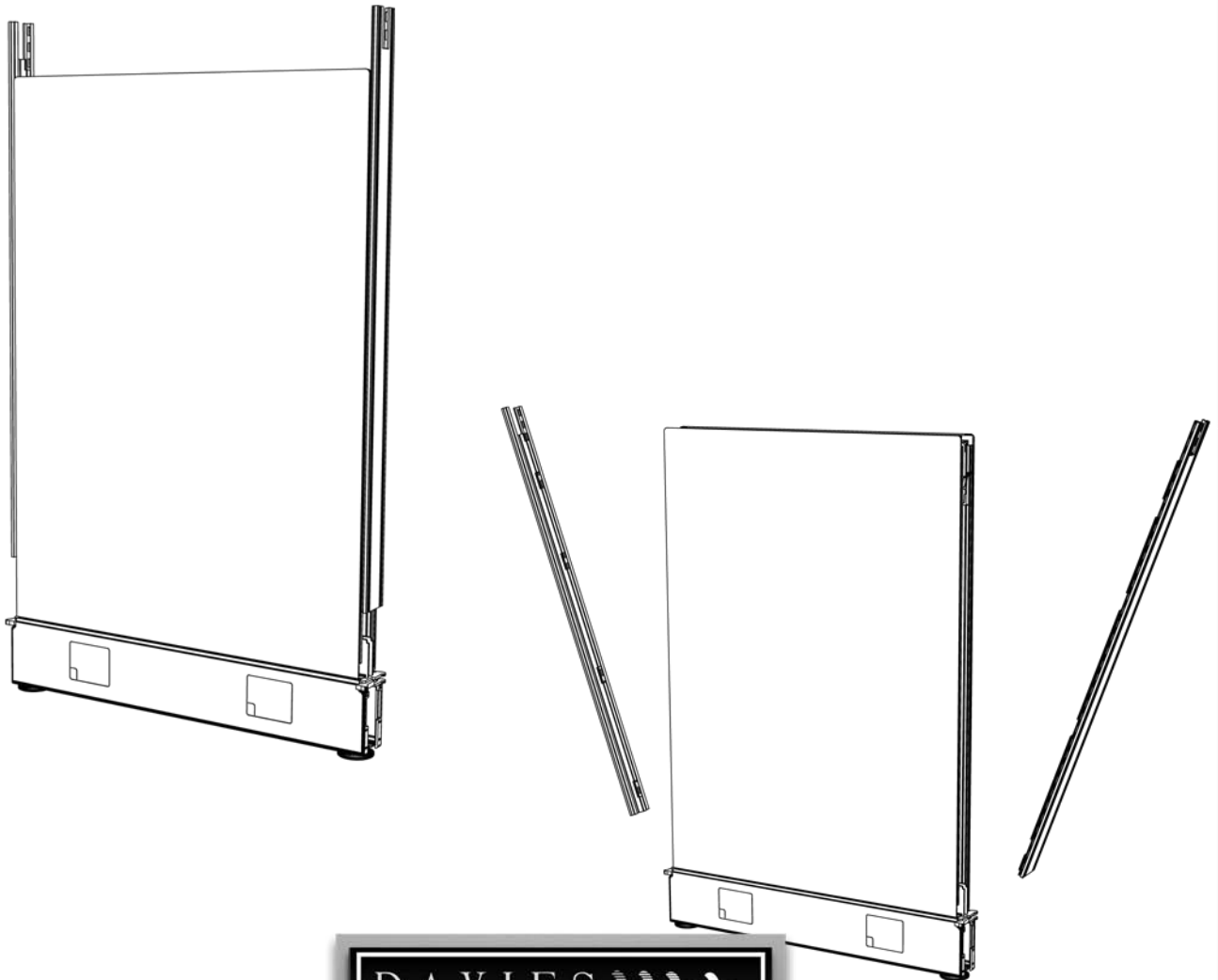


You may need assistance!

While pushing the spring clip back with the screwdriver, tap the side rail upward from the bottom. Keep tapping upward until it is free from the panel frame.

Repeat this step for both sides of the panel.

** NOTE: Use caution when doing this, as the side rail will just fall free once it's dislodged from it's bracket.*



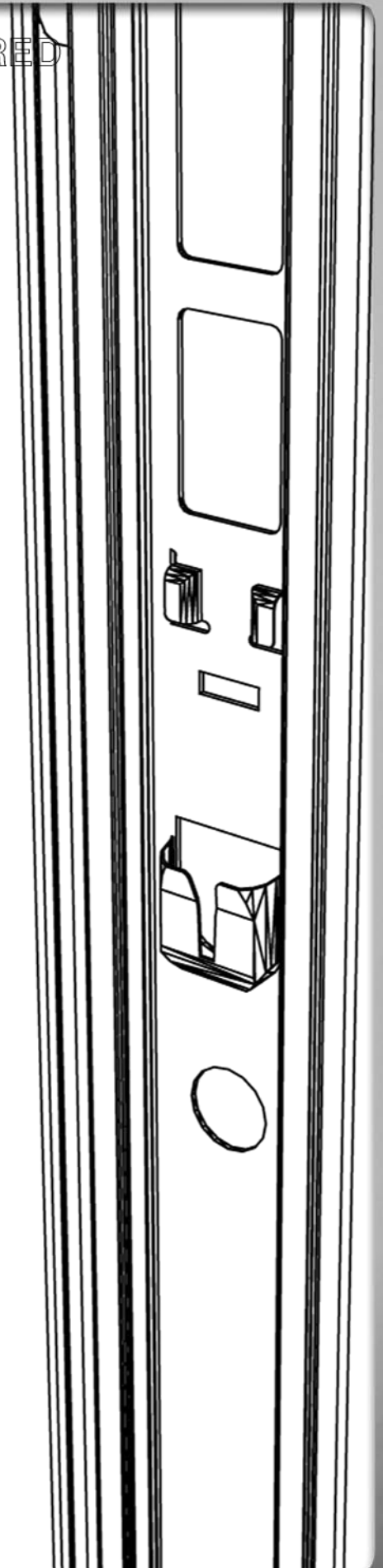
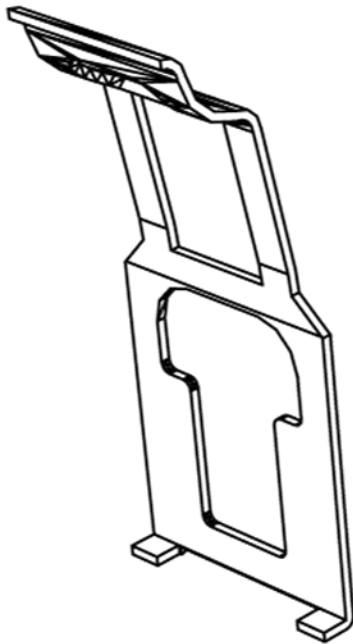
WHAT LEGENDS ARE RE-MADE OF

DAVIES REMANUFACTURED
HAWORTH PLACES
DISASSEMBLY INSTRUCTIONS



STEP 5

Use the flathead screwdriver to help pry the bottom of the spring clip outward. Now slide it downward until it's released from the frame.



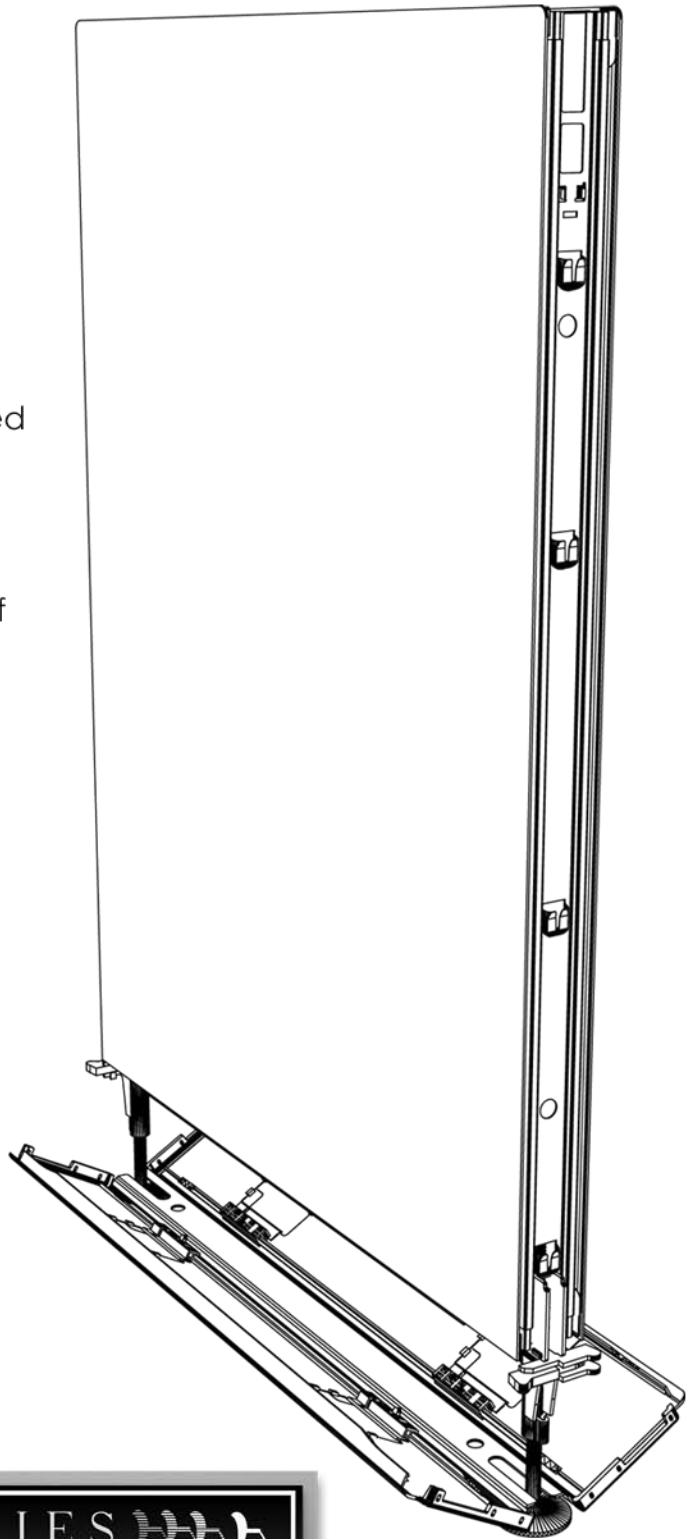
WHAT LEGENDS ARE RE-MADE OF

DAVIES REMANUFACTURED
HAWORTH PLACES
DISASSEMBLY INSTRUCTIONS

STEP 6

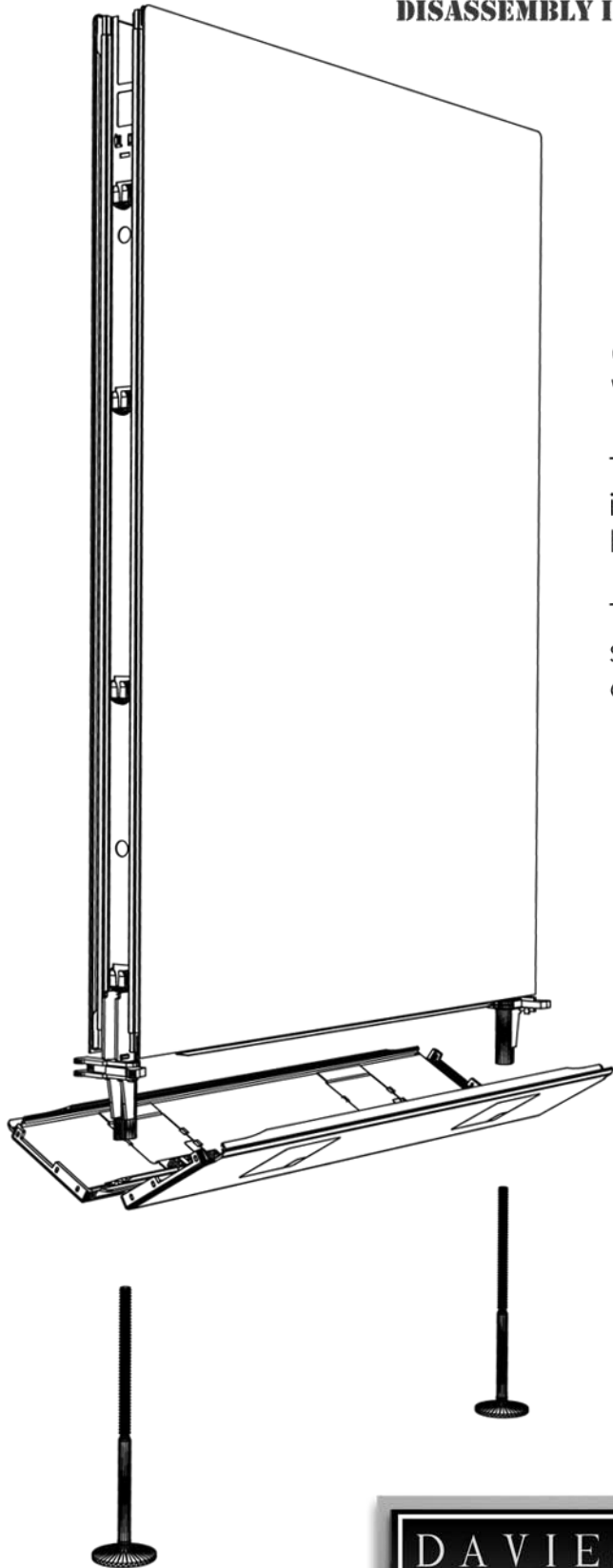
The kickplate is one piece of molded plastic that wraps around the base of the panel.

Pull the top of the kickplate toward you until it's free from the bottom of the panel. Do this to both sides.



WHAT LEGENDS ARE RE-MADE OF

DAVIES REMANUFACTURED
HAWORTH PLACES
DISASSEMBLY INSTRUCTIONS



STEP 7

The kickplate can be removed by sliding it to one side and pulling it out, but it may be easier to remove the glides first.

The leveling glides can be removed by simply unscrewing them until they are completely free of the legs.

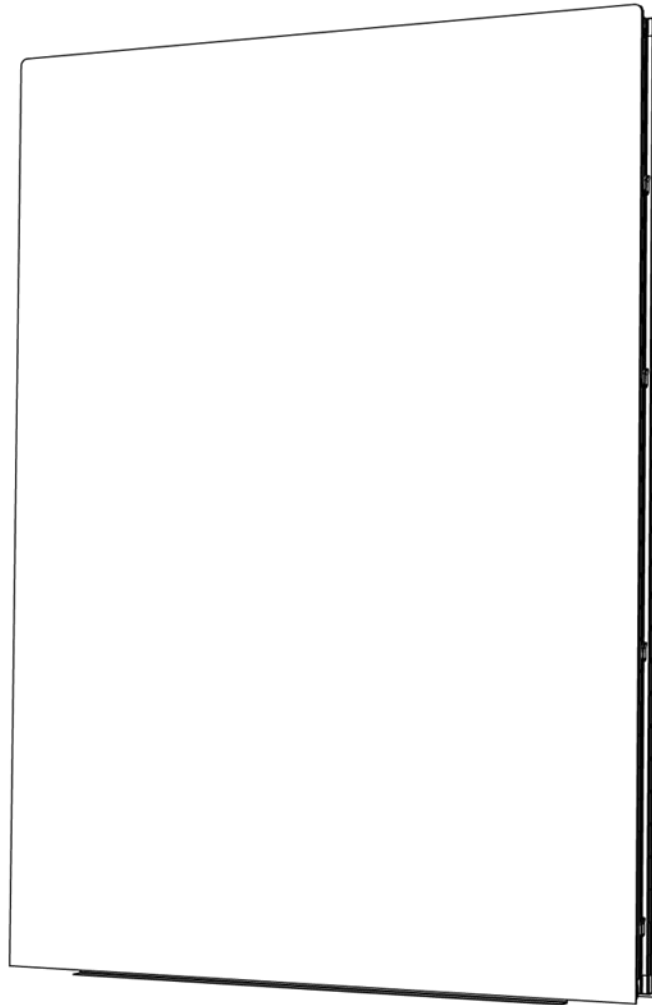


WHAT LEGENDS ARE RE-MADE OF

DAVIES REMANUFACTURED
HAWORTH PLACES
DISASSEMBLY INSTRUCTIONS

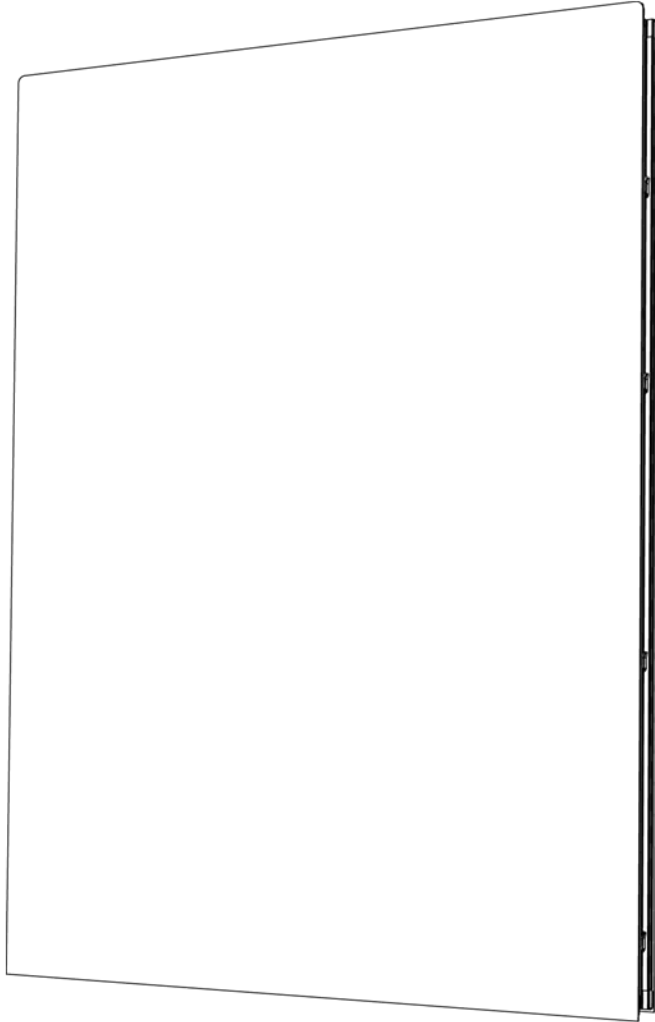
STEP 8

The legs can now be removed, as well. Push them inward until they are free of the panel frame.



WHAT LEGENDS ARE RE-MADE OF

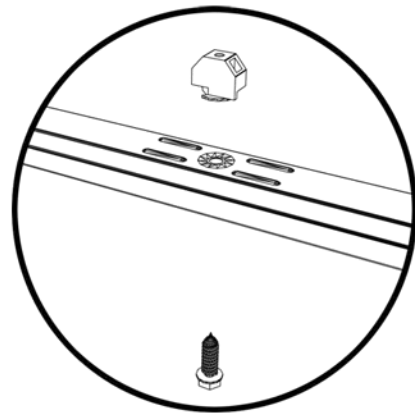
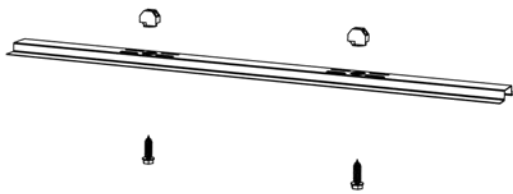
DAVIES REMANUFACTURED
HAWORTH PLACES
DISASSEMBLY INSTRUCTIONS



STEP 9

Use a philips head screwdriver to remove the (2) screws holding the base bracket on the panel.

Remove the base bracket.



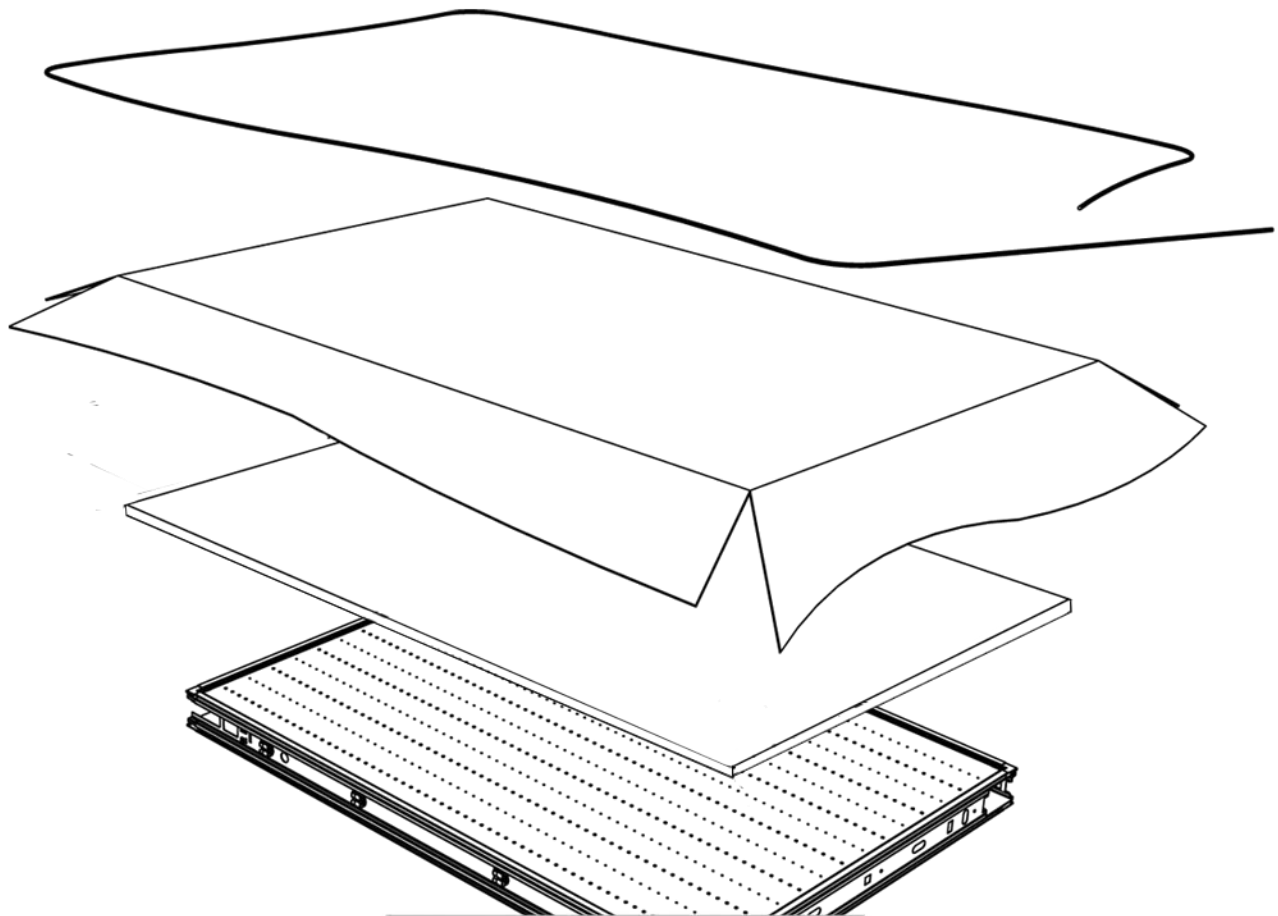
WHAT LEGENDS ARE RE-MADE OF

DAVIES REMANUFACTURED
HAWORTH PLACES
DISASSEMBLY INSTRUCTIONS

STEP 10

Lay the panel down flat. Now, remove the paper retention cord that secures the fabric to the panel frame. It might help to use a pair of needle nose pliers. Once the cord has been removed peel the fabric, and acoustical batting off of the panel frame.

Repeat this process for both sides of the panel.

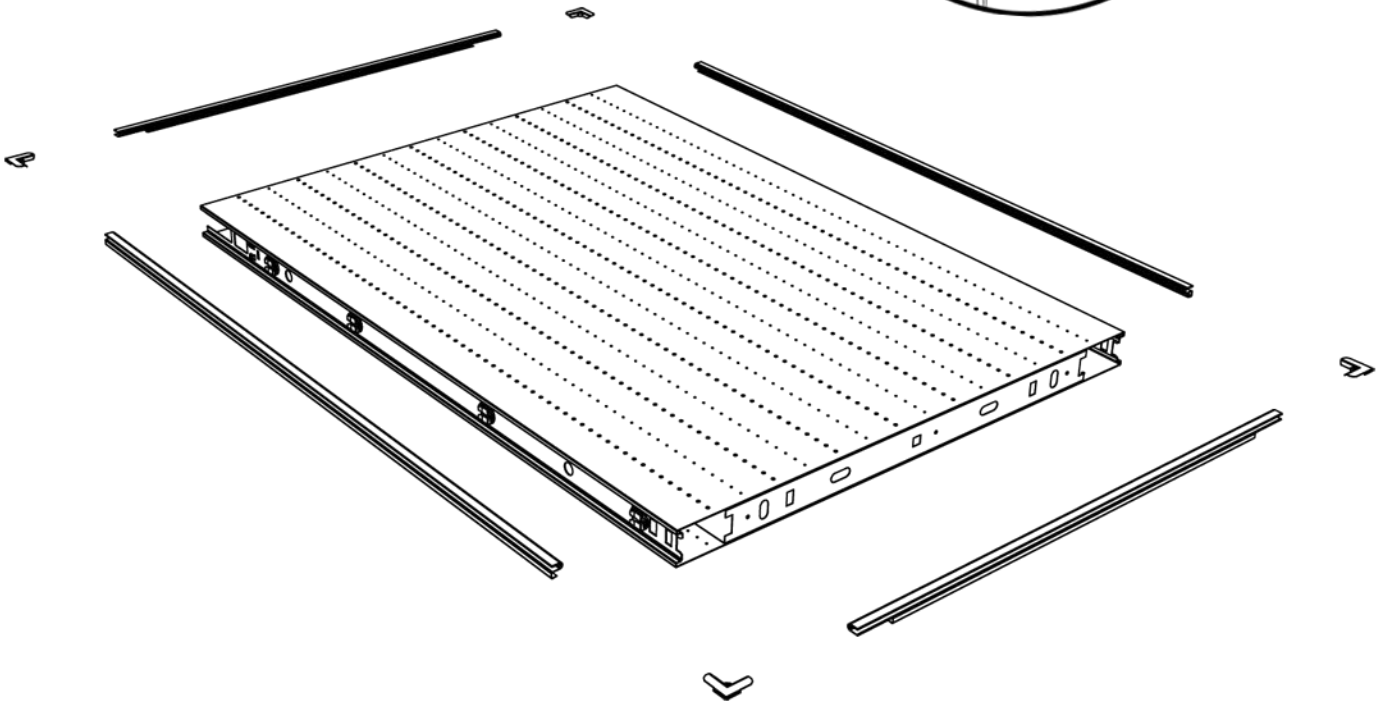
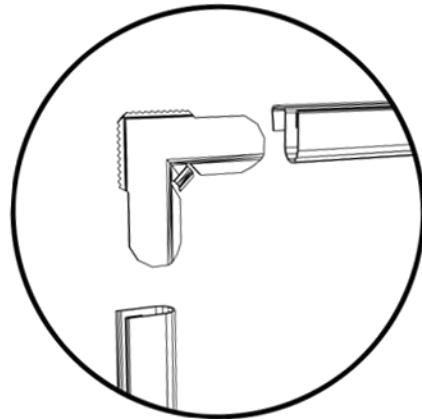


WHAT LEGENDS ARE RE-MADE OF

DAVIES REMANUFACTURED
HAWORTH PLACES
DISASSEMBLY INSTRUCTIONS

STEP 11

Now that the fabric and batting has been removed you'll be able to pull the retention cord channels and the corner brackets off of each edge of the panel frame.

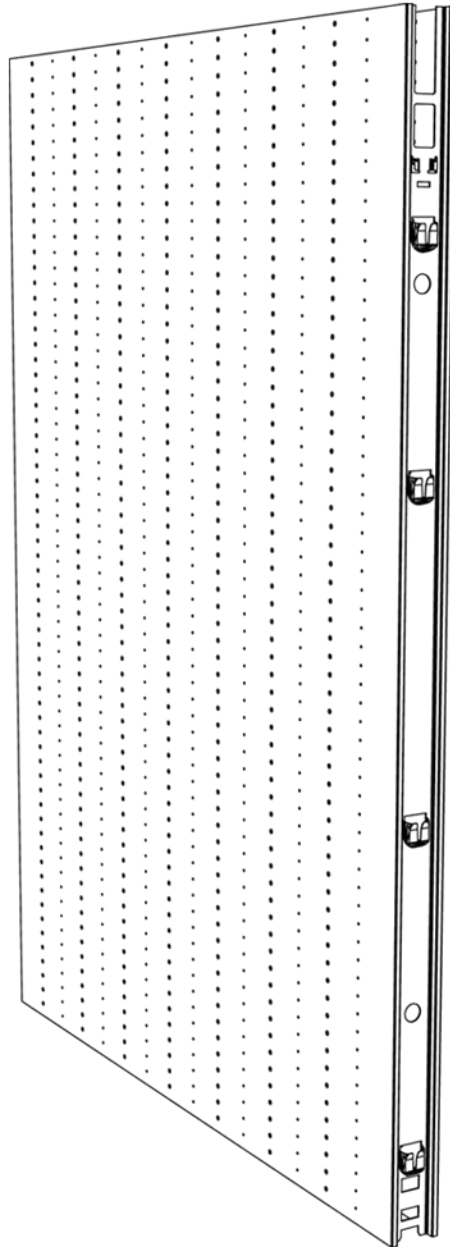


WHAT LEGENDS ARE RE-MADE OF

DAVIES REMANUFACTURED
HAWORTH PLACES
DISASSEMBLY INSTRUCTIONS

COMPLETED

What's left is a panel core. This is as far as a Haworth Places panel can be disassembled using simple hand tools.



WHAT LEGENDS ARE RE-MADE OF