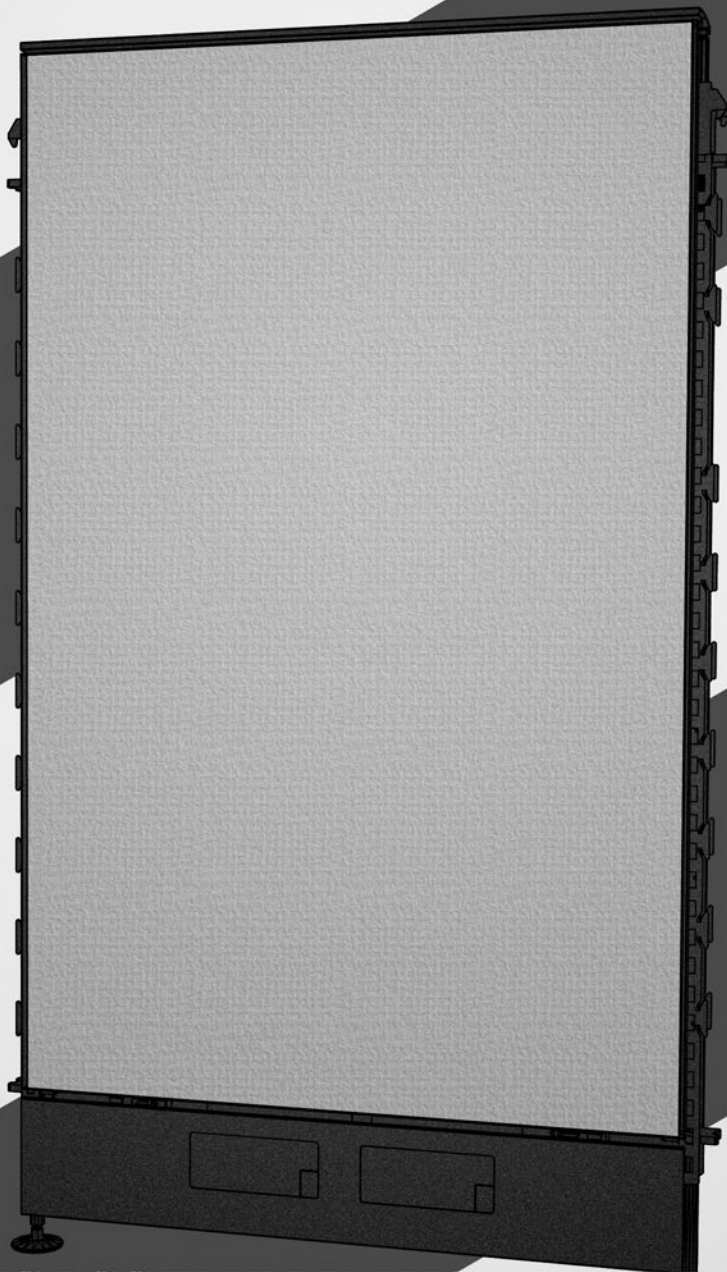


Davies Remanufactured
HAWORTH PREMISE



DISASSEMBLY INSTRUCTIONS



WHAT LEGENDS ARE RE-MADE OF

DAVIES REMANUFACTURED
HAWORTH PREMISE
DISASSEMBLY INSTRUCTIONS

STANDARD TOOLS REQUIRED



Standard Flat-Head Screwdriver



Torx head screwdriver



Needle Nose Pliers

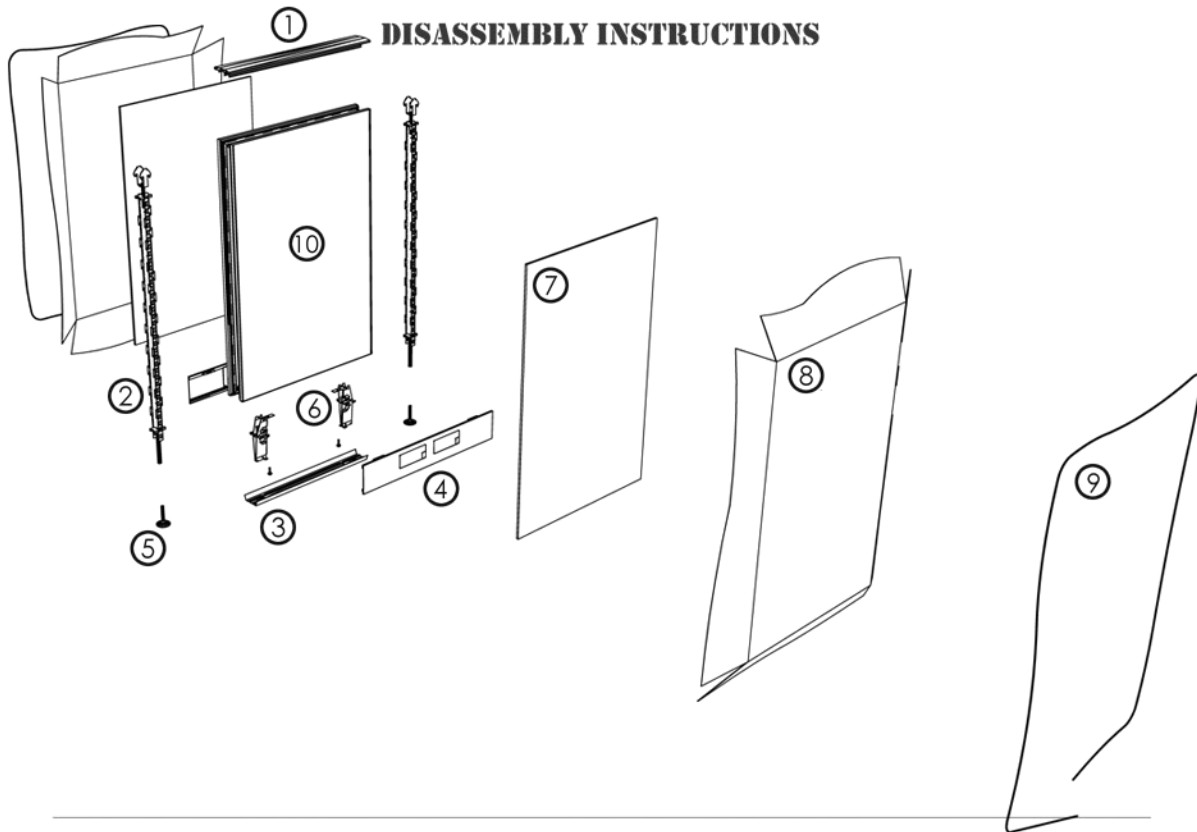
Ratchet



WHAT LEGENDS ARE RE-MADE OF

DAVIES REMANUFACTURED HAWORTH PREMISE

DISASSEMBLY INSTRUCTIONS



- | | |
|--|-------------------------------------|
| ① (1) Top-Cap (steel) ♻️ | ⑧ (2) Panel fabric (polyester) |
| ② (2) Side Rails / Connectors (steel) ♻️ | ⑨ (2) Fabric Retention Cord (paper) |
| ③ (1) Base Plate (steel) ♻️ | ⑩ (1) Panel Core (steel/paper/tack) |
| ④ (2) Kick-Plate (vinyl) | ⑪ (2) Misc. Hardware |
| ⑤ (2) Leveling Glides (steel/plastic) | |
| ⑥ (2) Panel Legs (steel) ♻️ | |
| ⑦ (2) Acoustic batting (fiberglass) | |

♻️ Items that should be recycled if they cannot be re-used or remanufactured. For more information on where to recycle materials or other recovery options, please review the Davies End of Life Recycling infrastructure Matrix and Davies End of Life Recovery Options Matrix.

Available online at: <http://daviesoffice.com/environment/>

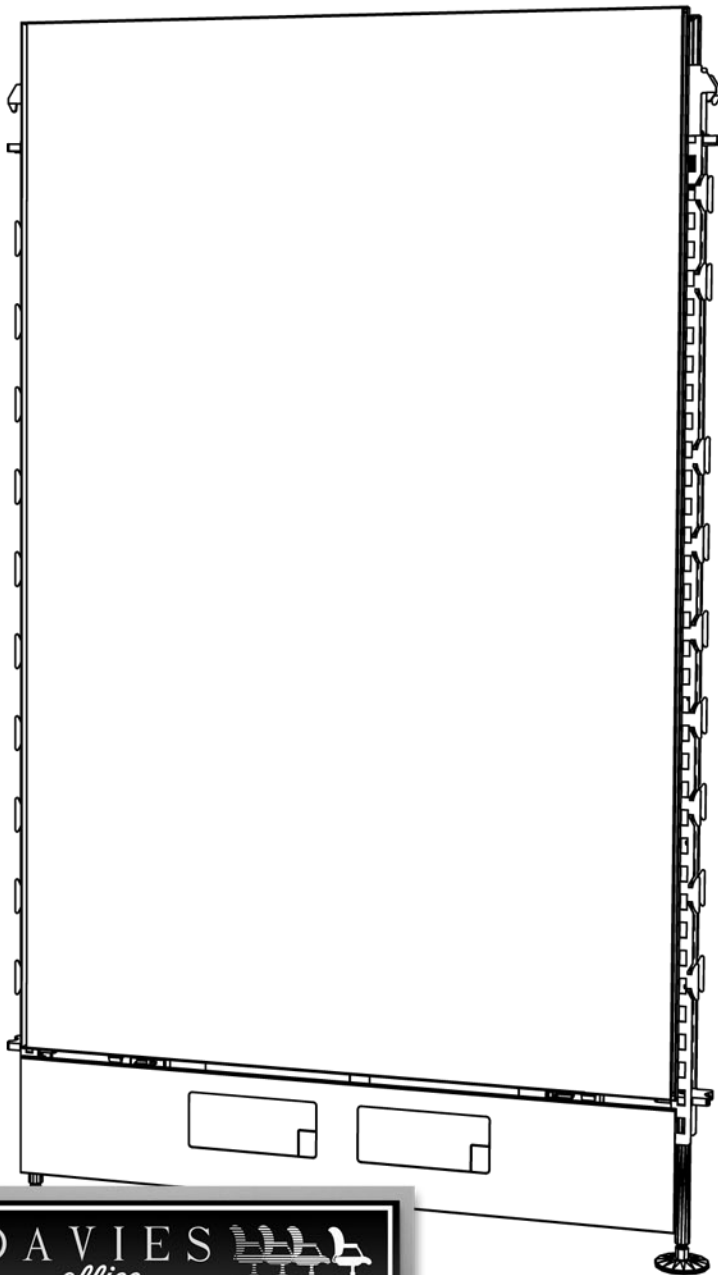


WHAT LEGENDS ARE RE-MADE OF

DAVIES REMANUFACTURED
HAWORTH PREMISE
DISASSEMBLY INSTRUCTIONS

STEP 1

Remove top cap by pulling top cap straight up with both hands.



WHAT LEGENDS ARE RE-MADE OF

DAVIES REMANUFACTURED HAWORTH PREMISE

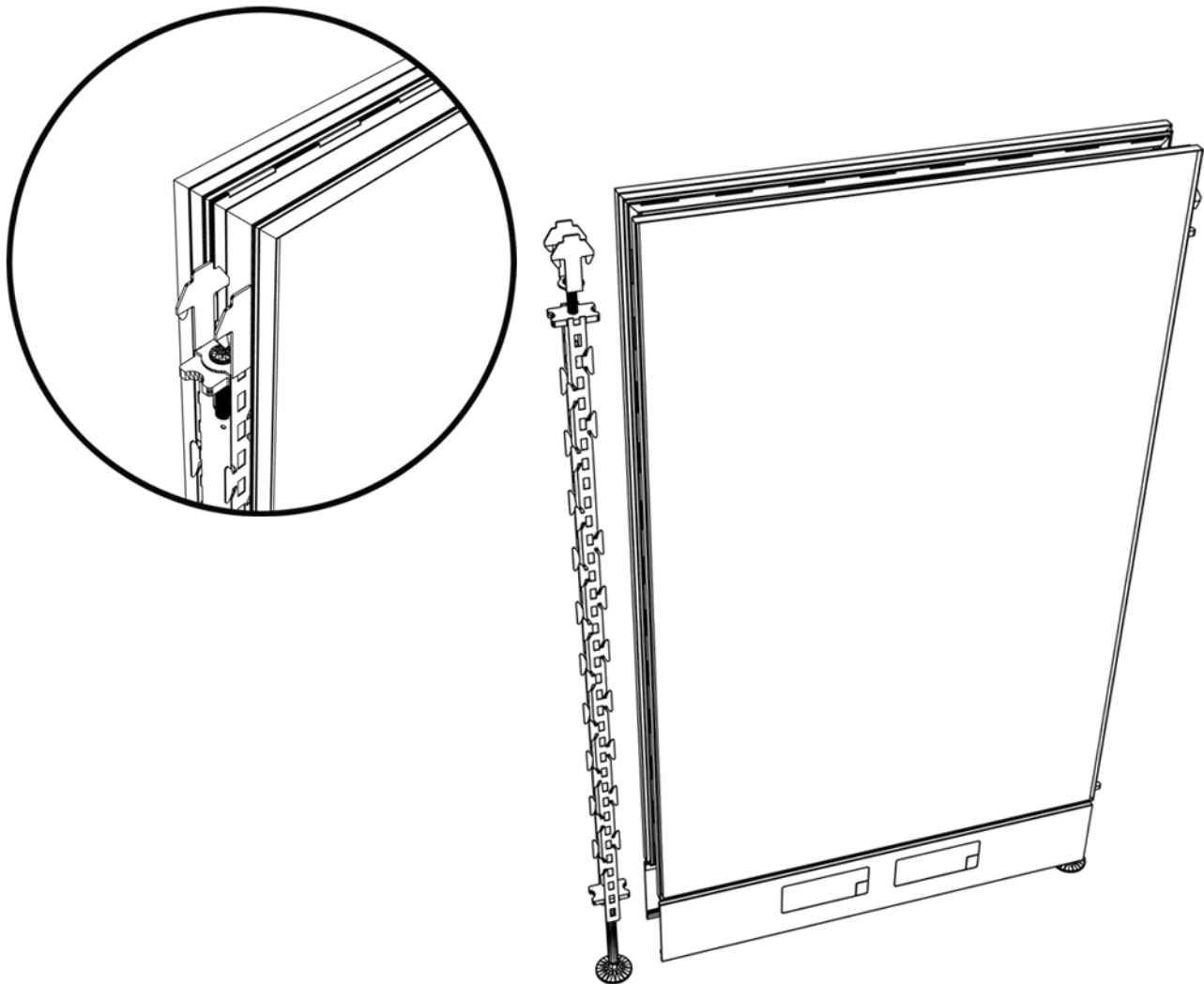
DISASSEMBLY INSTRUCTIONS

STEP 2

The side rail connectors are locked into the panel by a lock bracket. Use a torx-head screwdriver to unscrew the bolt that holds the lock bracket onto the side rail.

Once loosened, you'll be able to slide the rails up and outward until the teeth are free from the panel frame.

Repeat for both side rails.



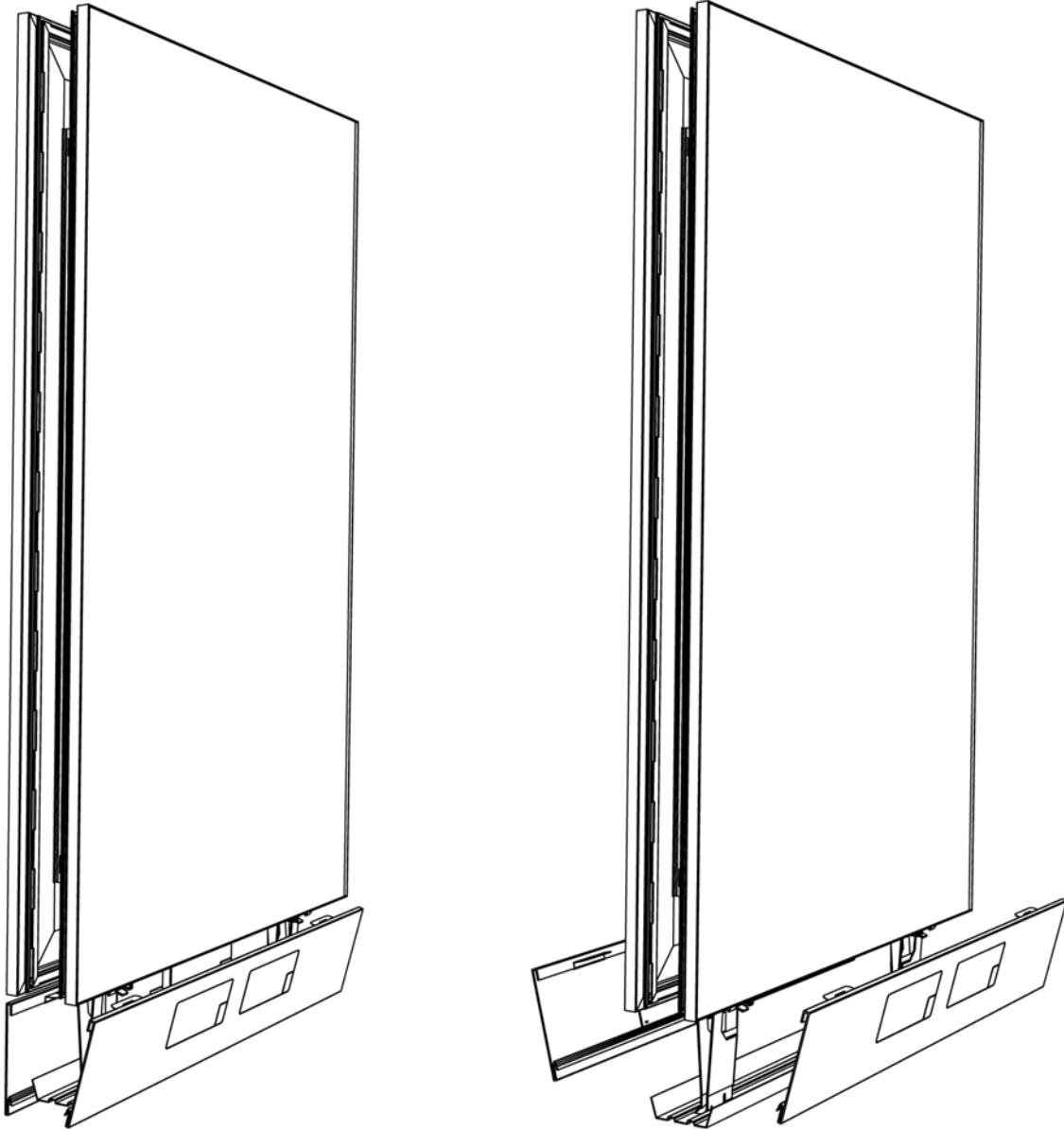
WHAT LEGENDS ARE RE-MADE OF

DAVIES REMANUFACTURED
HAWORTH PREMISE
DISASSEMBLY INSTRUCTIONS

STEP 3



Depress the top of each kick-plate and pull them out toward you. Once the top edge is free of the panel frame, you should be able to pull them right off of the base. Use a flat-head screwdriver if you need to.

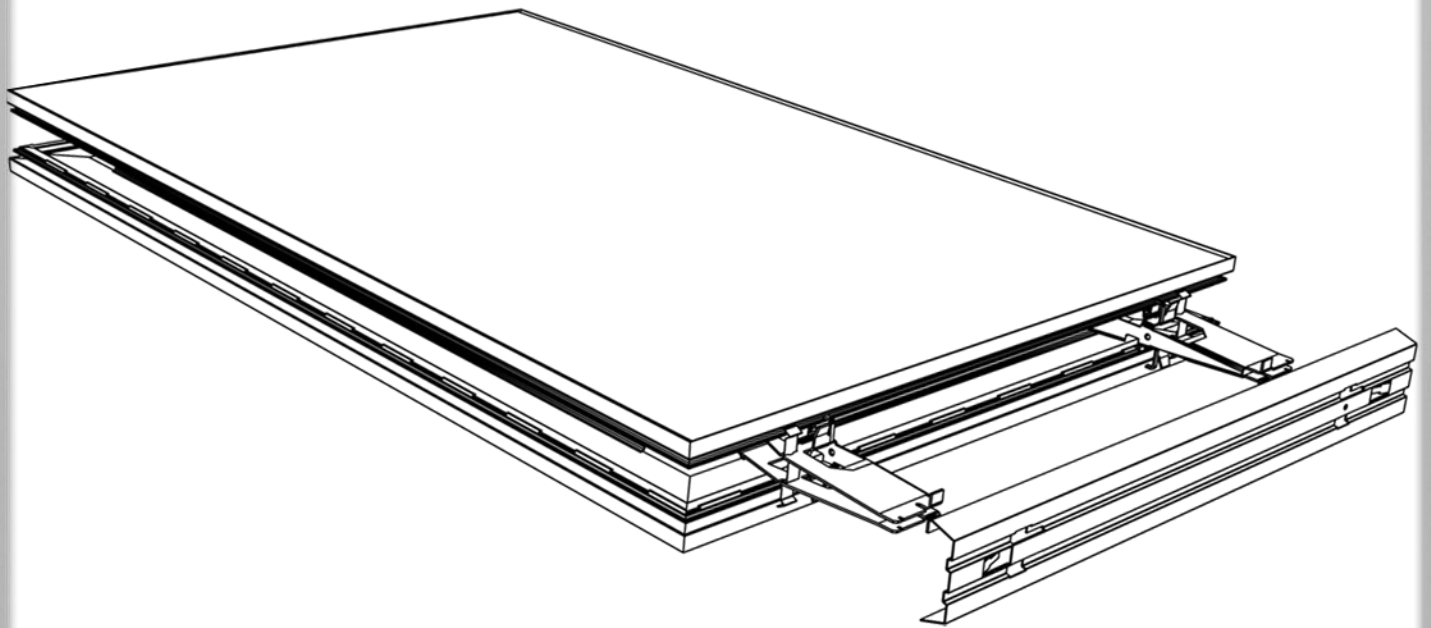


WHAT LEGENDS ARE RE-MADE OF

DAVIES REMANUFACTURED
HAWORTH PREMISE
DISASSEMBLY INSTRUCTIONS

STEP 4

Lay the Panel down flat. Slide the base plate to one side until it's free of the tabs on the bottom of the legs. Remove the plate.

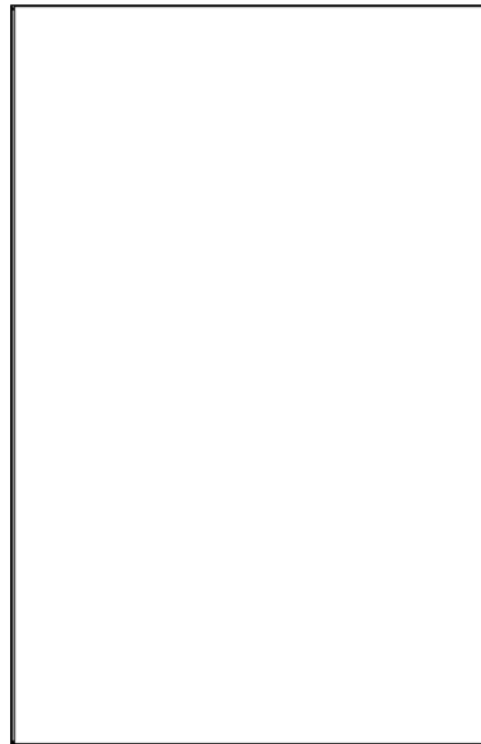
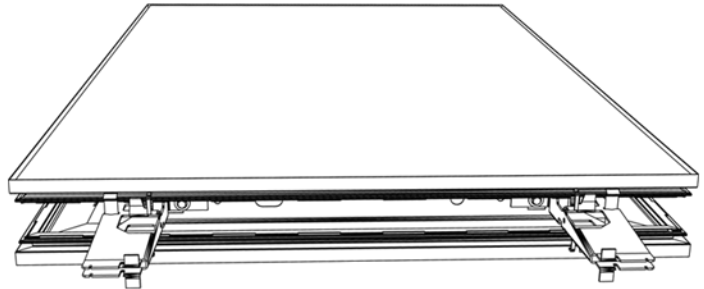
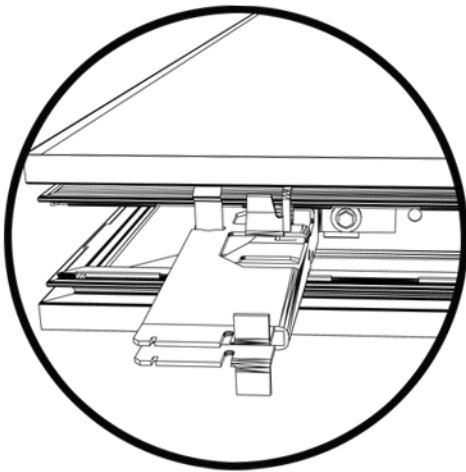


WHAT LEGENDS ARE RE-MADE OF

DAVIES REMANUFACTURED
HAWORTH PREMISE
DISASSEMBLY INSTRUCTIONS

STEP 5

Using a ratchet or hex-head screwdriver. Remove the bolts that hold the legs onto the panel frame. Once the bolts are free, remove the legs by pulling them out.

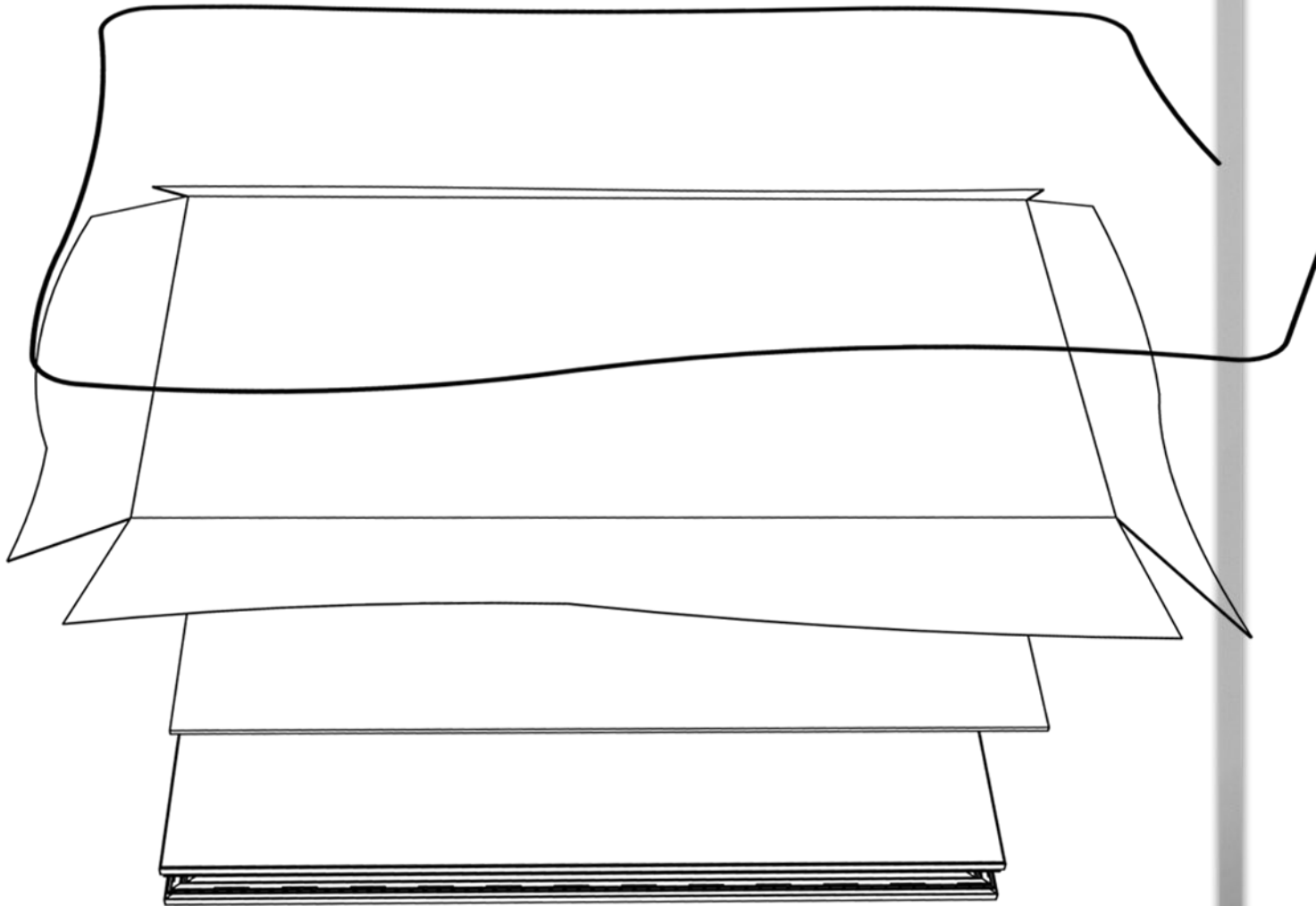


WHAT LEGENDS ARE RE-MADE OF

DAVIES REMANUFACTURED
HAWORTH PREMISE
DISASSEMBLY INSTRUCTIONS

STEP 6

The panel fabric and acoustic batting are held onto the panel frame with a retention cord. Using a screwdriver or pair of needlenose pliers, pull the retention cord out of the channel that runs around the panel. Once the cord has been pulled off, you can remove the fabric and acoustic batting. Repeat for both sides of the panel.

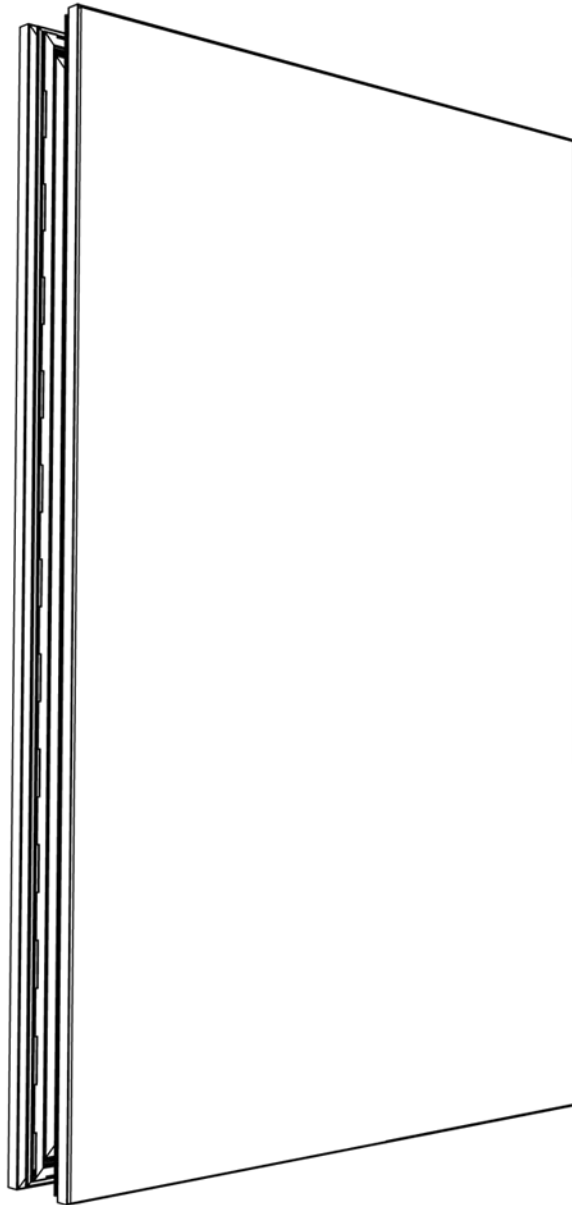


WHAT LEGENDS ARE RE-MADE OF

DAVIES REMANUFACTURED
HAWORTH PREMISE
DISASSEMBLY INSTRUCTIONS

COMPLETED

What's left is a panel core. This is as far as a Haworth Premise panel can be disassembled using simple hand tools.



WHAT LEGENDS ARE RE-MADE OF