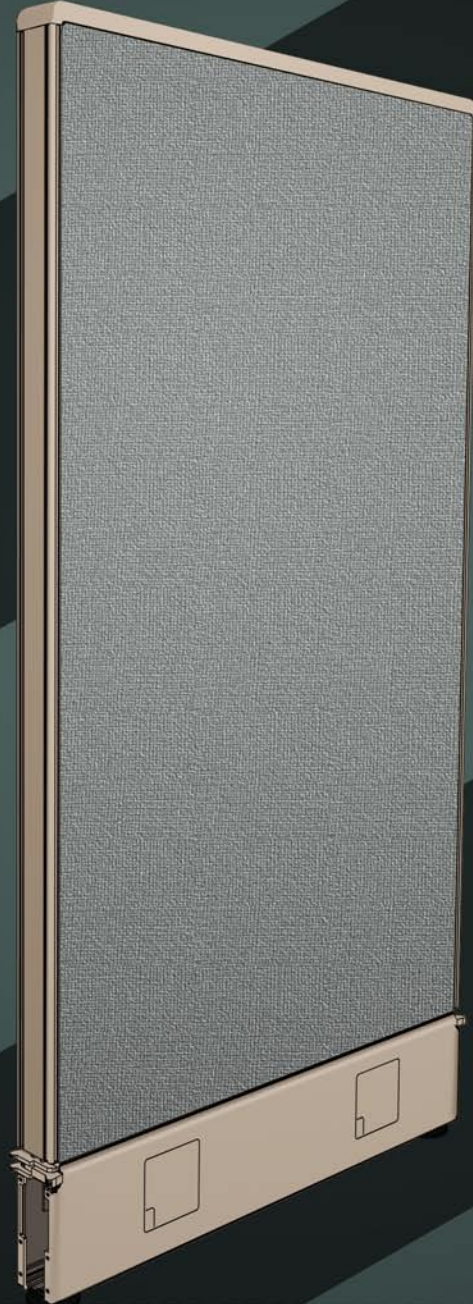


Davies Remanufactured
HAWORTH UNIGROUP



DISASSEMBLY INSTRUCTIONS



DAVIES REMANUFACTURED
HAWORTH UNIGROUP
DISASSEMBLY INSTRUCTIONS

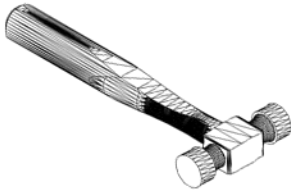
STANDARD TOOLS REQUIRED



Standard Flat-Head Screwdriver



Standard #2 Phillips Head Screwdriver



Hammer or Mallet



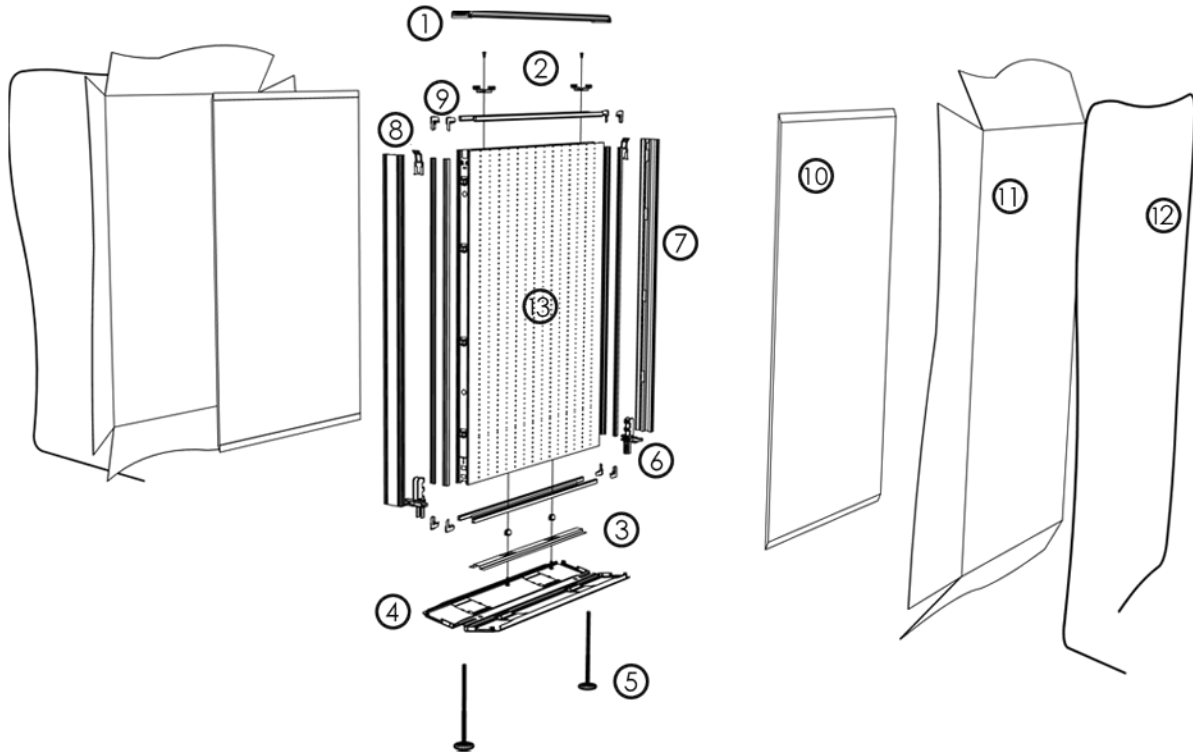
Needle Nose Pliers



WHAT LEGENDS ARE RE-MADE OF

DAVIES REMANUFACTURED HAWORTH UNIGROUP

DISASSEMBLY INSTRUCTIONS



- | | |
|---------------------------------------|---|
| ① (1) Top-Cap (steel) ♻️ | ⑧ (2) Side Rail Clip (steel) ♻️ |
| ② (4) Top-Cap Brackets (steel) ♻️ | ⑨ (8) Cord Retention Channel (steel) ♻️ |
| ③ (1) Base Bracket (steel) ♻️ | ⑩ (2) Acoustical Batting (fiberglass) |
| ④ (1) Kick-Plate (plastic) | ⑪ (2) Panel Fabric (polyester) |
| ⑤ (2) Leveling Glides (steel/plastic) | ⑫ (2) Fabric Retention Cord (paper) |
| ⑥ (2) Panel Legs (steel) ♻️ | ⑬ (2) Panel Core (steel/paper) |
| ⑦ (2) Side Rail (aluminum) ♻️ | ⑭ (2) Misc. Hardware |

♻️ Items that should be recycled if they cannot be re-used or remanufactured. For more information on where to recycle materials or other recovery options, please review the Davies End of Life Recycling Infrastructure Matrix and Davies End of Life Recovery Options Matrix.

Available online at: <http://daviesoffice.com/environment/>



WHAT LEGENDS ARE RE-MADE OF

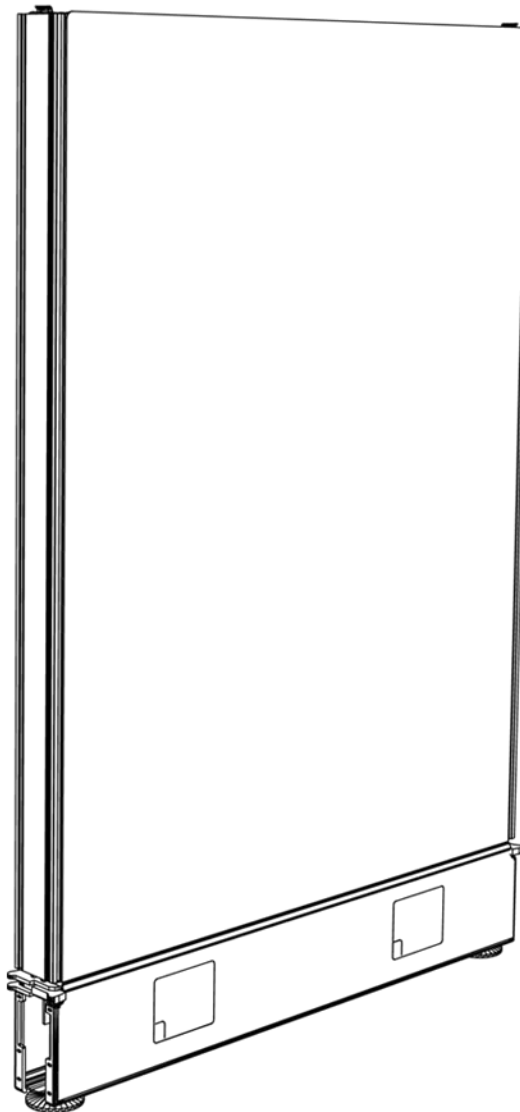
DAVIES REMANUFACTURED
HAWORTH UNIGROUP

DISASSEMBLY INSTRUCTIONS



STEP 1

Remove top cap by pulling top cap straight up with both hands.



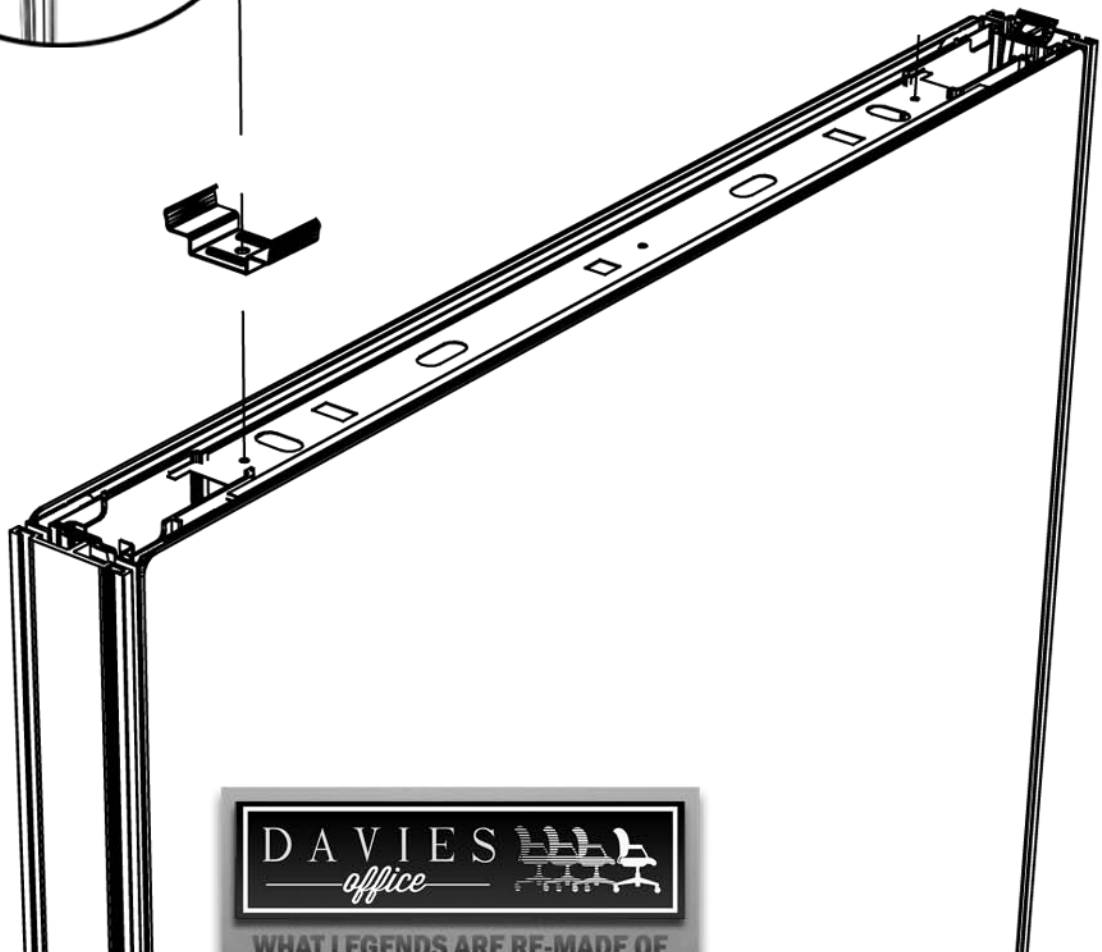
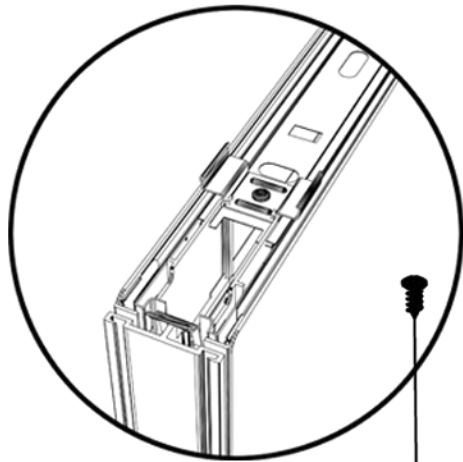
WHAT LEGENDS ARE RE-MADE OF

DAVIES REMANUFACTURED HAWORTH UNIGROUP

DISASSEMBLY INSTRUCTIONS

STEP 2

Use a philips-head screwdriver to remove the (2) top-cap brackets.



WHAT LEGENDS ARE RE-MADE OF

DAVIES REMANUFACTURED
HAWORTH UNIGROUP
DISASSEMBLY INSTRUCTIONS

STEP 3

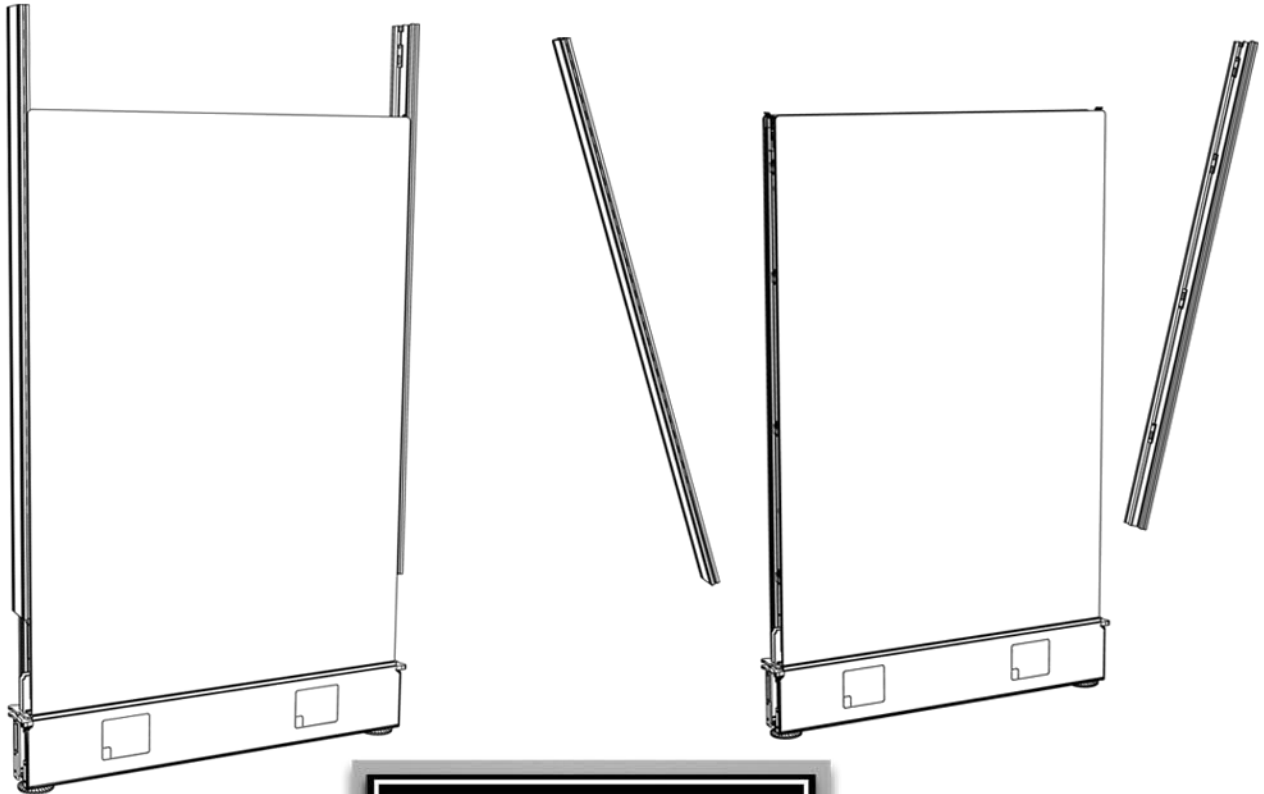
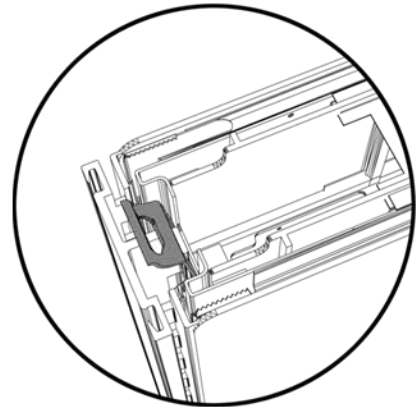
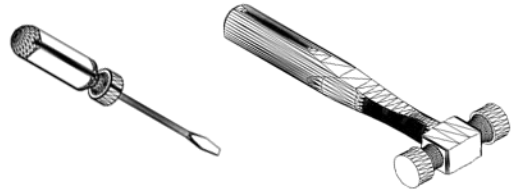
You may need assistance!

There is a spring clip that locks the side rails onto the panel frame.
Use a flat-head screwdriver to push the spring clip back.

Use a mallet to tap the side rails upward,
from the bottom. Keep tapping upward
until it is free from the panel frame.

Repeat this step for both sides of the panel.

** NOTE: Use caution when doing this, as the side rail will just
fall free once it's dislodged from it's bracket.*



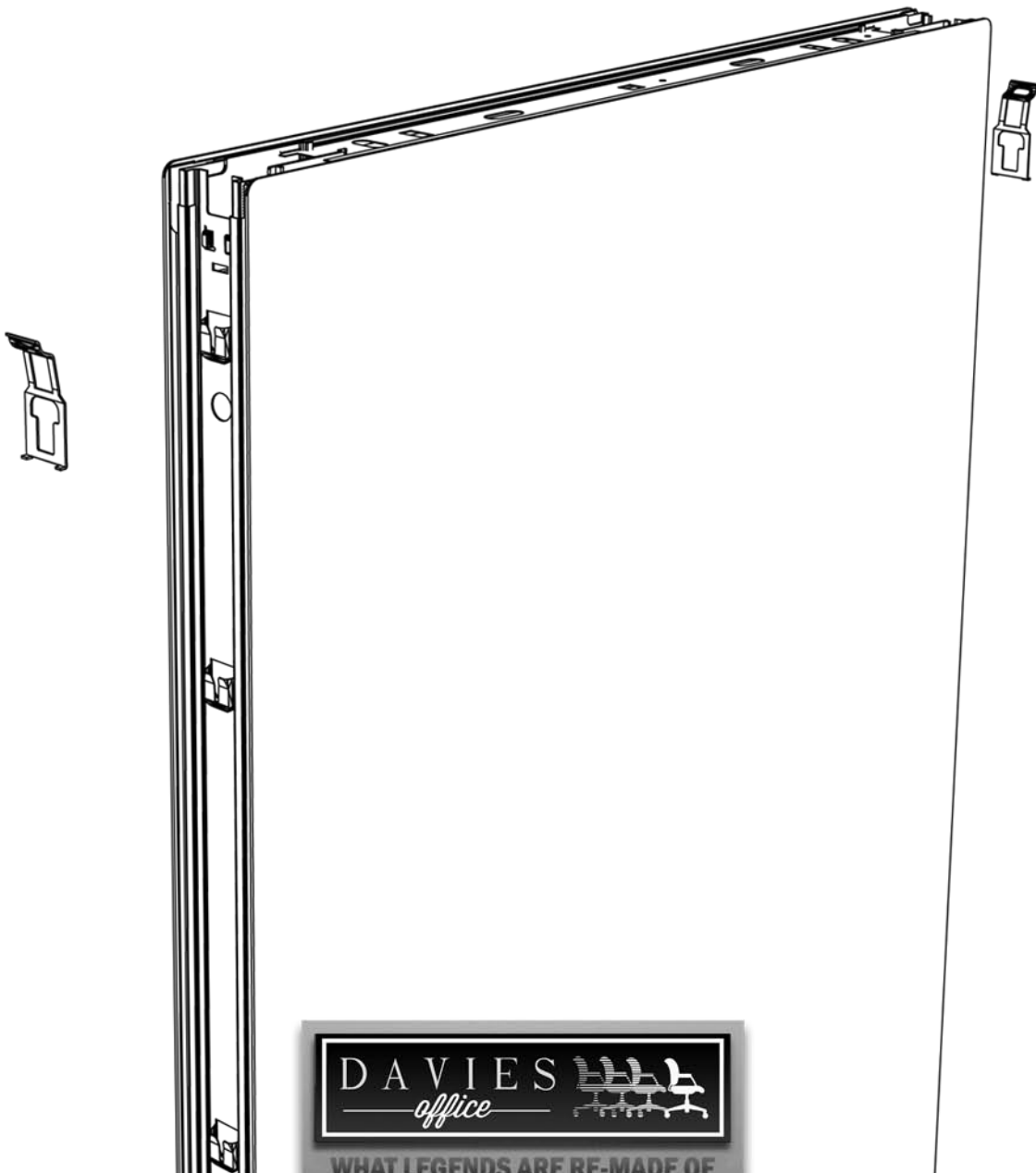
WHAT LEGENDS ARE RE-MADE OF

DAVIES REMANUFACTURED
HAWORTH UNIGROUP
DISASSEMBLY INSTRUCTIONS

STEP 4



Use the flathead screwdriver to help pry the bottom of the spring clip outward. Now slide it downward until it's released from the frame.



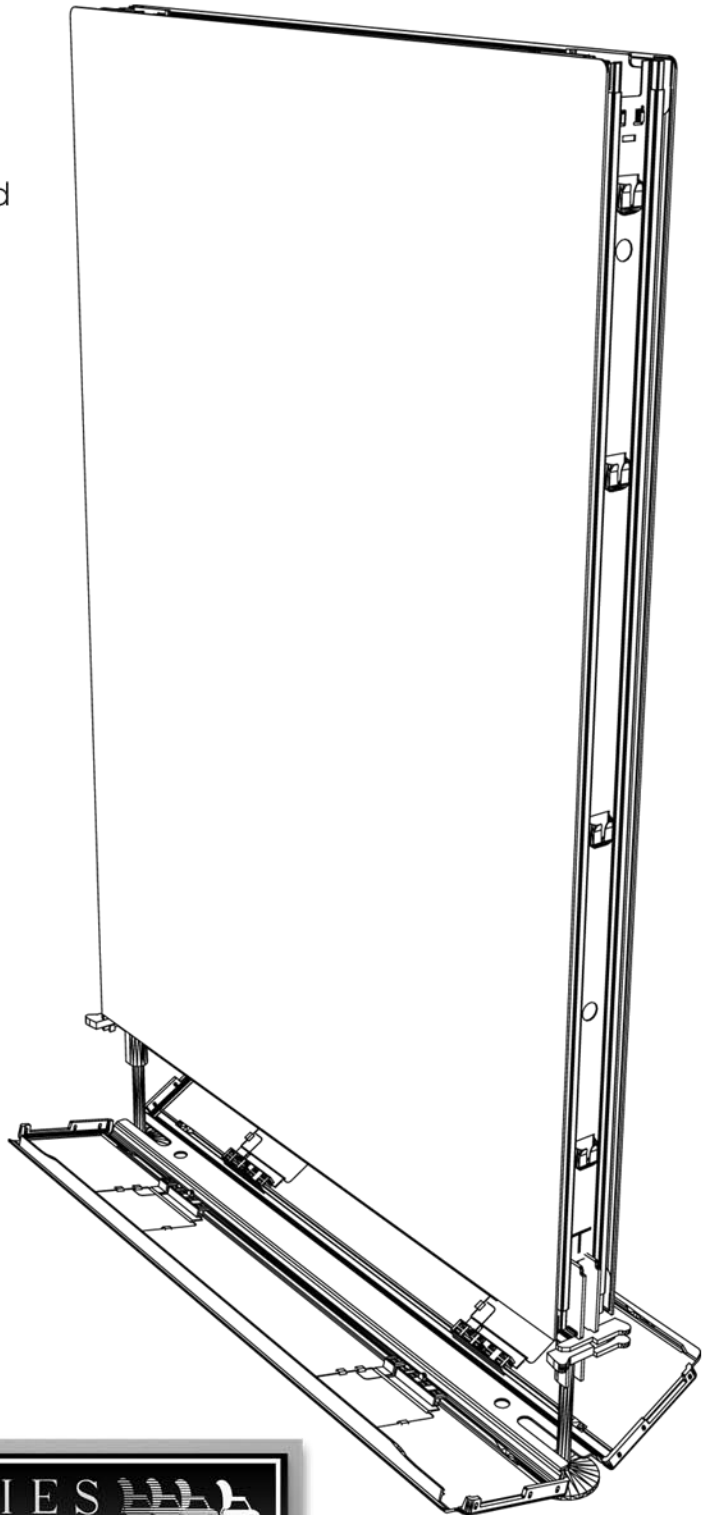
WHAT LEGENDS ARE RE-MADE OF

DAVIES REMANUFACTURED
HAWORTH UNIGROUP
DISASSEMBLY INSTRUCTIONS

STEP 5

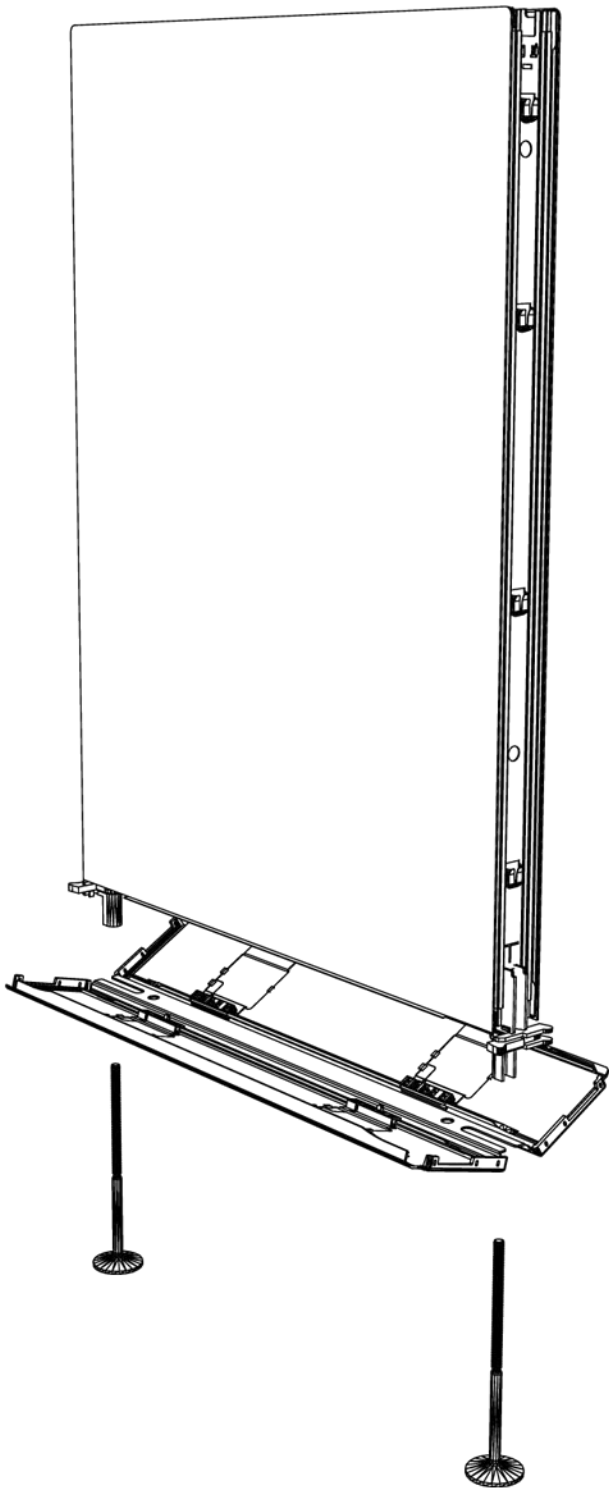
The kickplate is one piece of molded plastic that wraps around the base of the panel.

Pull the top of the kickplate toward you until it's free from the bottom of the panel. Do this to both sides.



WHAT LEGENDS ARE RE-MADE OF

DAVIES REMANUFACTURED
HAWORTH UNIGROUP
DISASSEMBLY INSTRUCTIONS



STEP 6

The kickplate can be removed by sliding it to one side and pulling it out, but it may be easier to remove the glides first.

The leveling glides can be removed by simply unscrewing them until they are completely free of the legs.

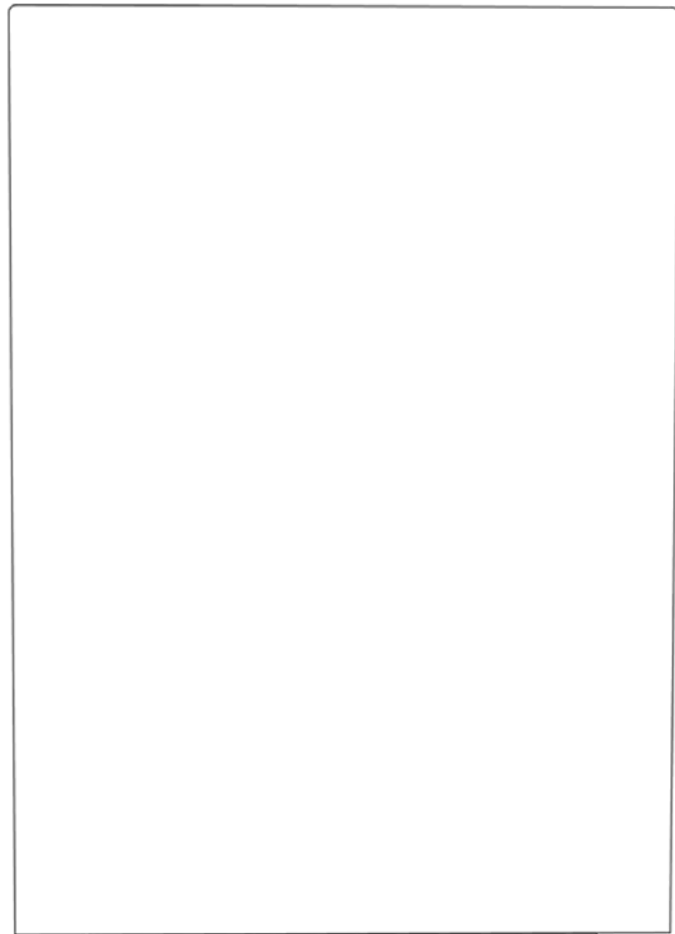
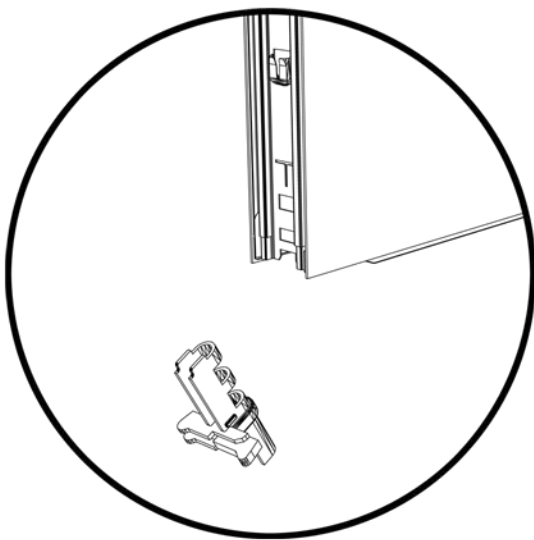


WHAT LEGENDS ARE RE-MADE OF

DAVIES REMANUFACTURED
HAWORTH UNIGROUP
DISASSEMBLY INSTRUCTIONS

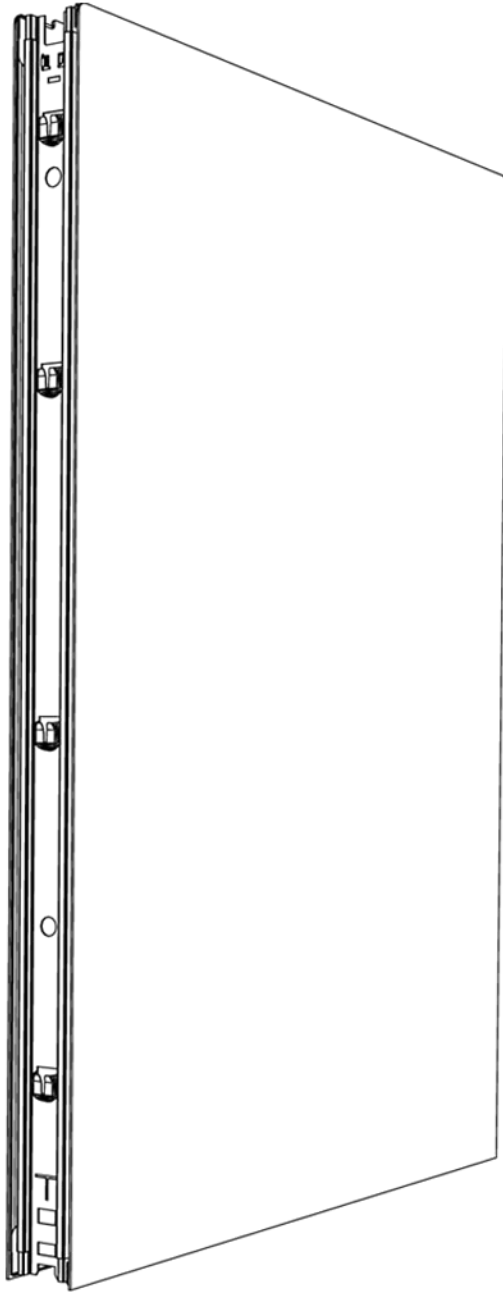
STEP 7

The legs can now be removed, as well. Push them inward until they are free of the panel frame.



WHAT LEGENDS ARE RE-MADE OF

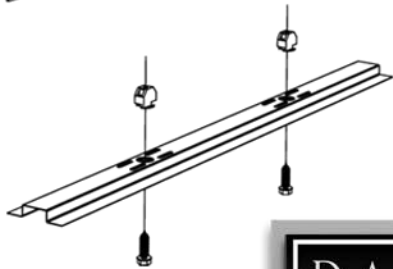
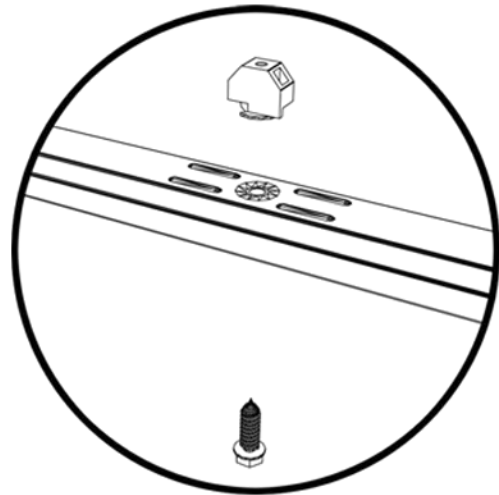
DAVIES REMANUFACTURED
HAWORTH UNIGROUP
DISASSEMBLY INSTRUCTIONS



STEP 8

Use a philips head screwdriver to remove the (2) screws holding the base plate on the panel.

Remove the base plate



WHAT LEGENDS ARE RE-MADE OF

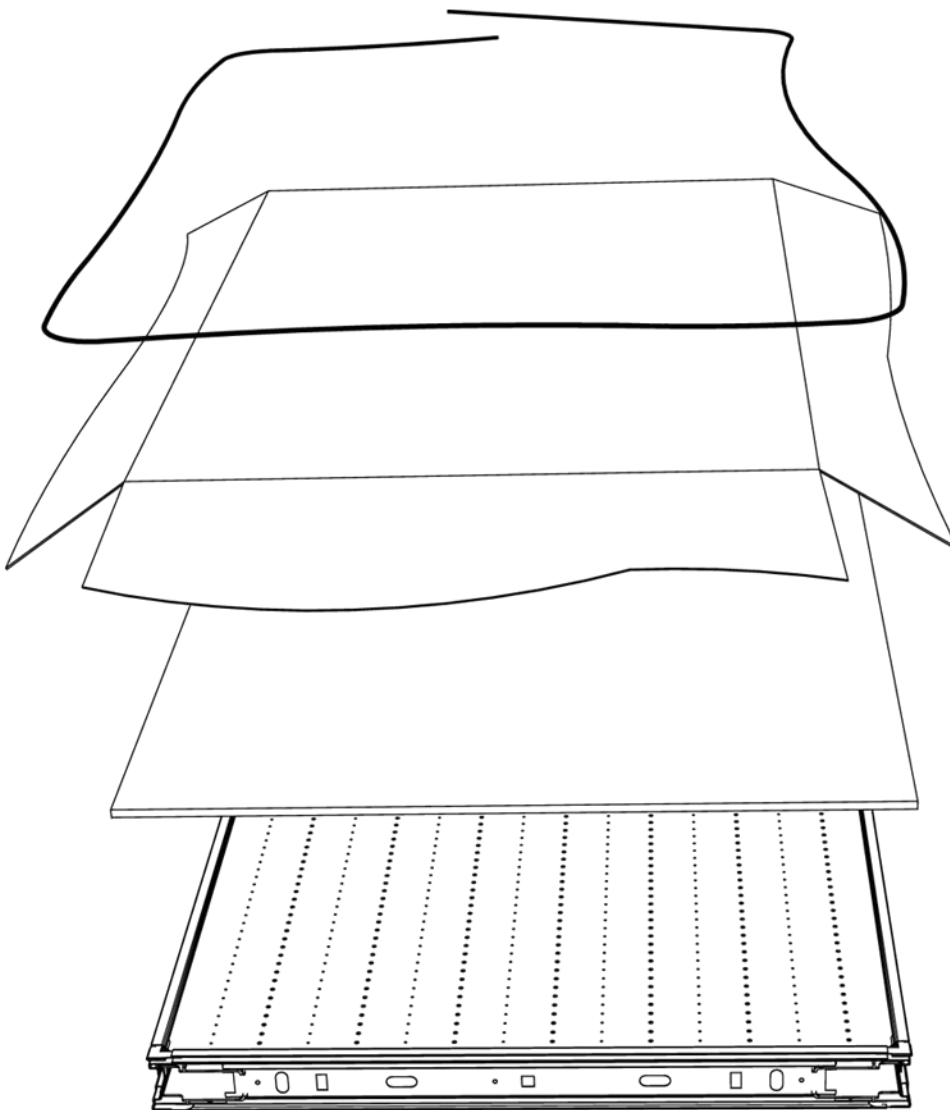
DAVIES REMANUFACTURED HAWORTH UNIGROUP

DISASSEMBLY INSTRUCTIONS

STEP 9

Lay the panel down flat. Now, remove the paper retention cord that secures the fabric to the panel frame. It might help to use a pair of needle nose pliers. Once the cord has been removed peel the fabric, and acoustical batting off of the panel frame.

Repeat this process for both sides of the panel.



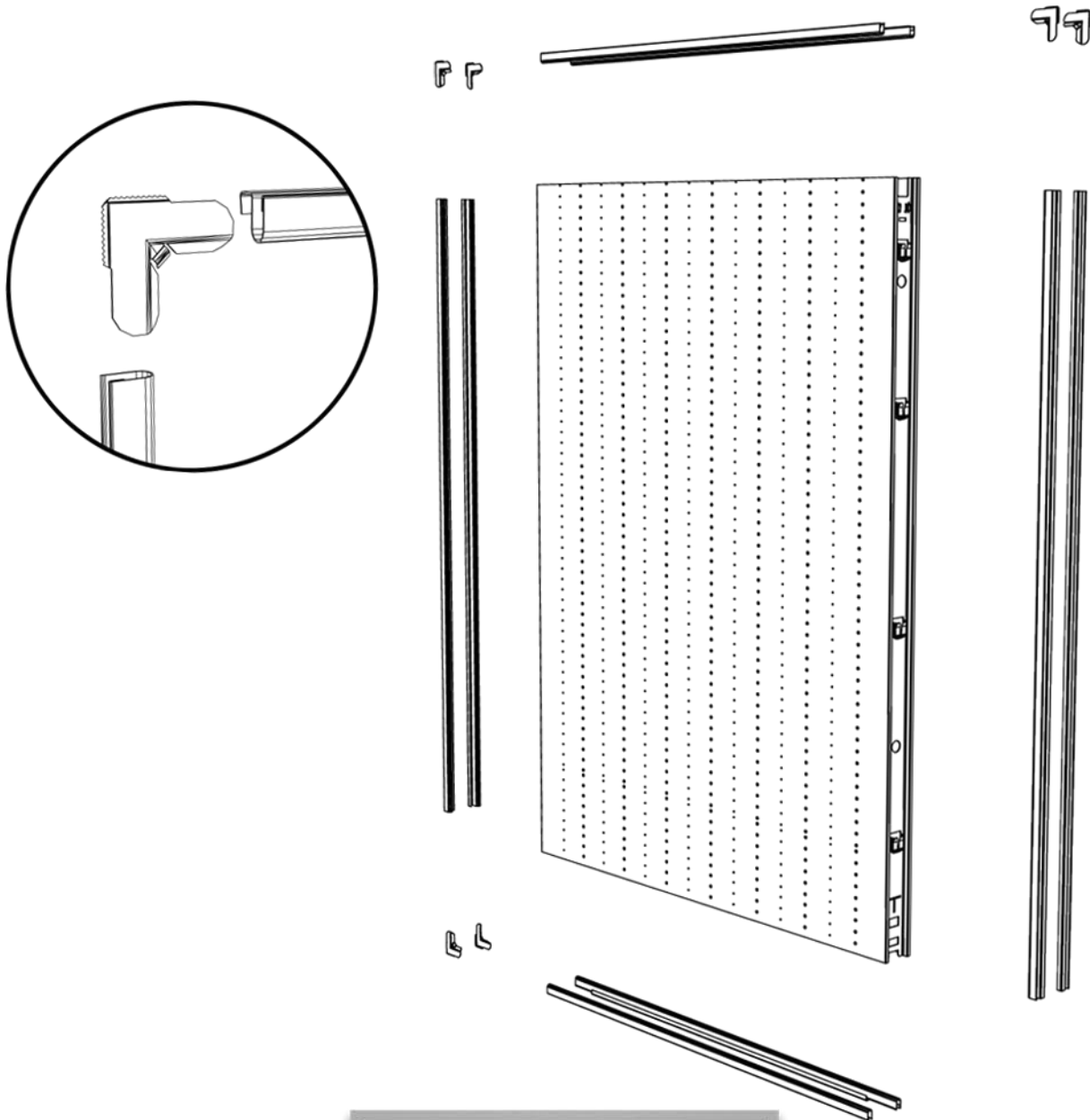
WHAT LEGENDS ARE RE-MADE OF

DAVIES REMANUFACTURED HAWORTH UNIGROUP

DISASSEMBLY INSTRUCTIONS

STEP 10

Now that the fabric and batting has been removed you'll be able to pull the retention cord channels and the corner brackets off of each edge of the panel frame.



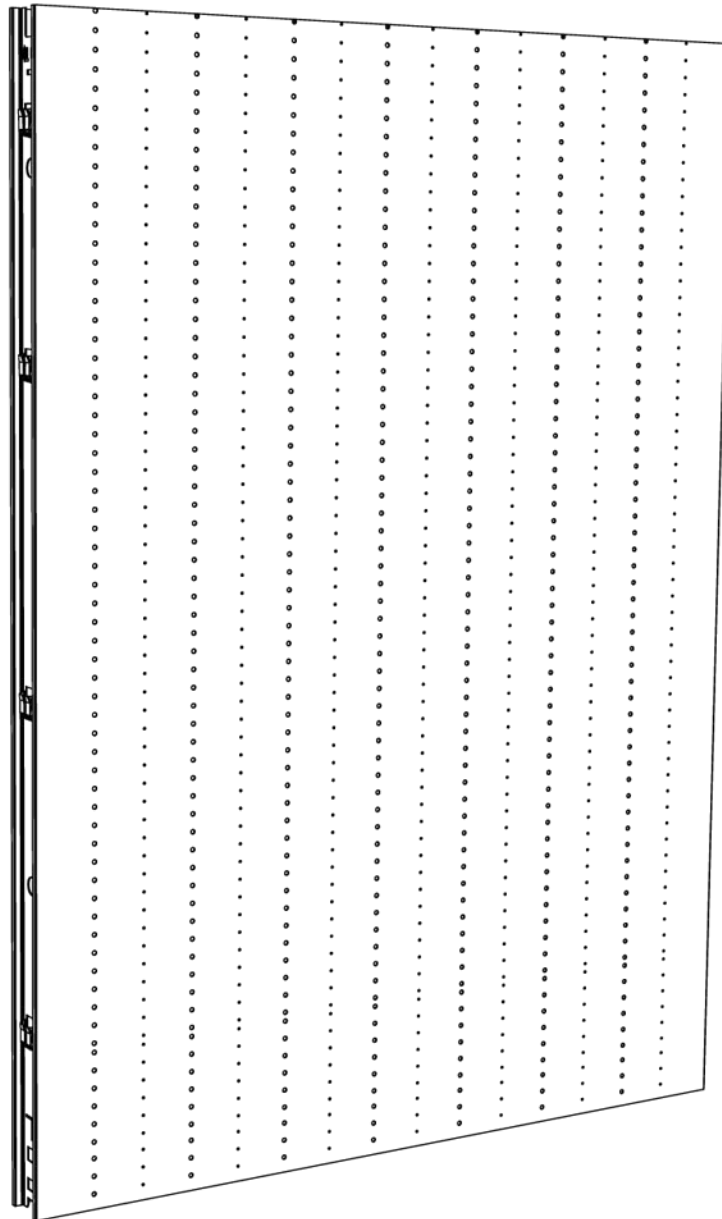
WHAT LEGENDS ARE RE-MADE OF

DAVIES REMANUFACTURED HAWORTH UNIGROUP

DISASSEMBLY INSTRUCTIONS

COMPLETED

What's left is a panel core. This is as far as a Haworth Places panel can be disassembled using simple hand tools.



WHAT LEGENDS ARE RE-MADE OF